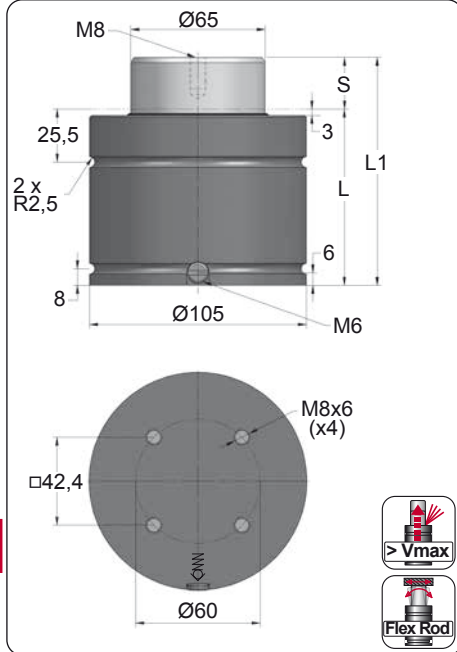


CT 5000

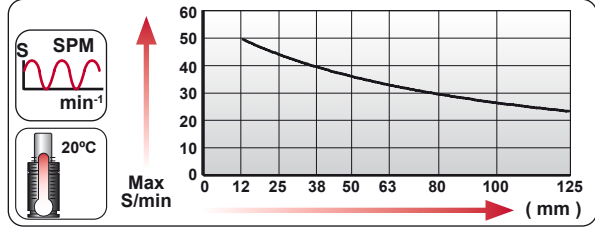
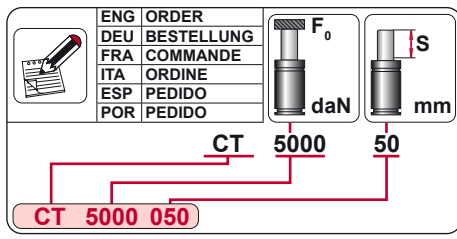
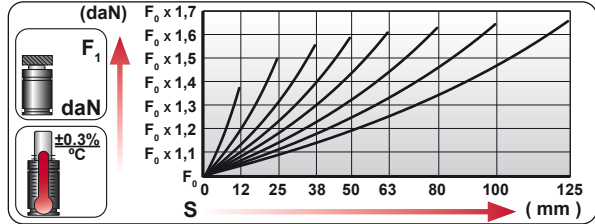
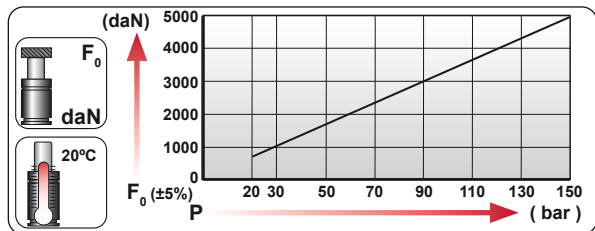
Low Profile



ORDER	S (mm)	L1 ±0,25 (mm)	L (mm)	Kg.
CT 5000 012	12	84	72	3.48
CT 5000 025	25	110	85	3.92
CT 5000 038	38	136	98	4.37
CT 5000 050	50	160	110	4.78
CT 5000 063	63	186	123	5.22
CT 5000 080	80	220	140	5.80
CT 5000 100	100	260	160	6.49
CT 5000 125	125	310	185	7.34



CODE	Pressure Gauge	bar	psi	F ₀ daN	F ₁ daN
CT 5000 050		150	2175	4980	7900
CT-H 5000 050		0	0	---	---



N₂

S_{max} < 90%

V_{max} 1,6 m/s

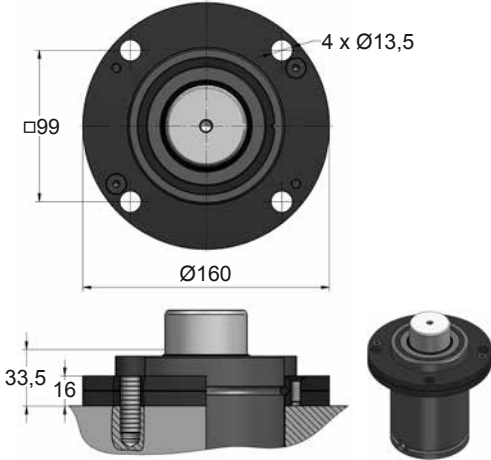
P_{min} (20°C)
P_{max} (20°C)

T_{min}
T_{max}

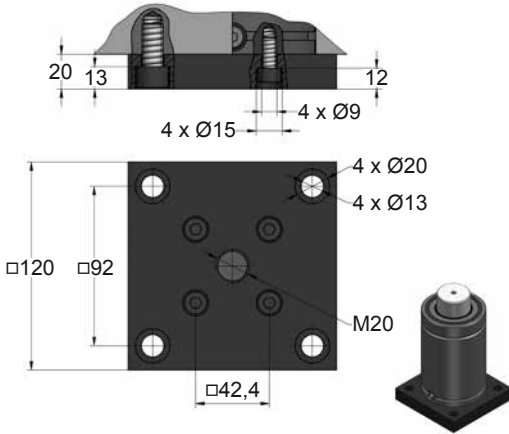
600 CP-

bar	psi	bar	psi	°C	°F	°C	°F	
20	290	150	2175	0	32	80	176	

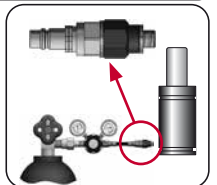
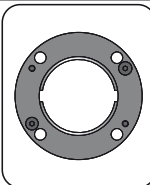
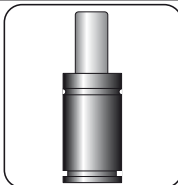
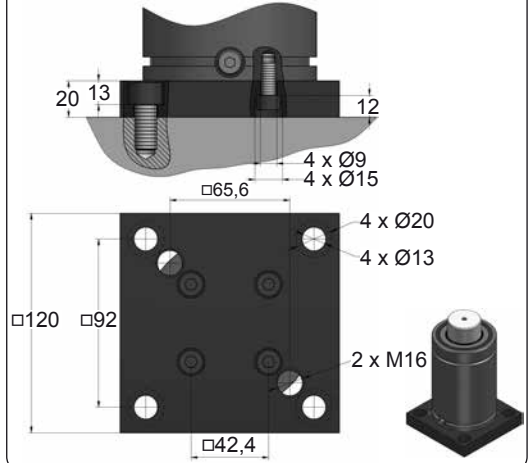
A14-105



B36-105



B41-105



CODE	CT 5000 050	KIT S-XXXXXXX KIT C-XXXXXXX	A14-105	06 CG 2-Q
ENG	ORDER	GAS SPRING	FLANGE	CHARGING ADAPTER
DEU	BESTELLUNG	GASDRUCKFEDER	FLANSCH	LADEADAPTER
FRA	COMMANDE	RESSORT À GAZ	BRIDE	RACCORD DE CHARGE
ITA	ORDINE	CILINDRO AD AZOTO	FLANGE	ADATTATORE DI CARICO
ESP	PEDIDO	RESORTE DE GAS	BRIDA	ADAPTADOR DE CARGA
POR	PEDIDO	CILINDRO DE GÁS	FLANGE	ADAPTADOR DE CARGA