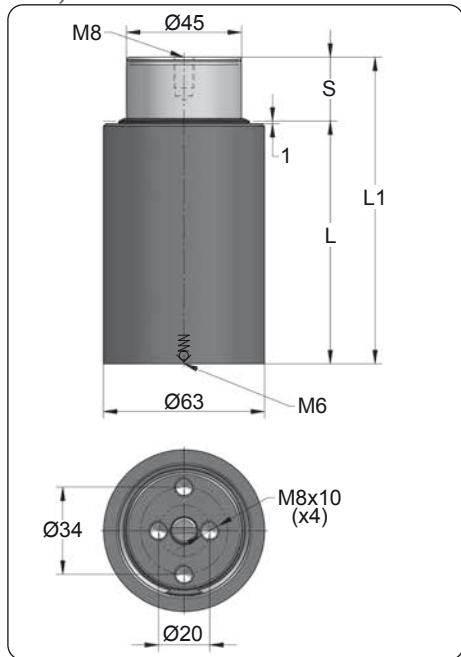


# CPH 2800 V1

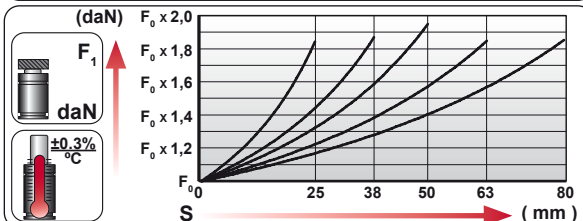
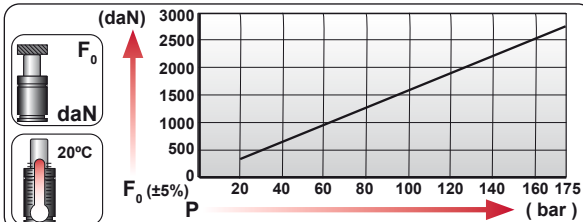
Heavy Load



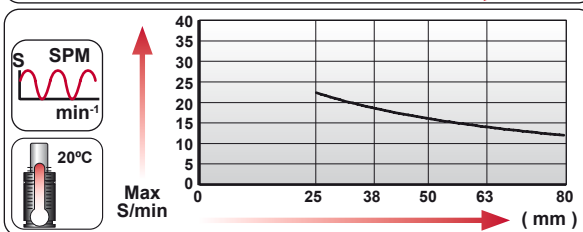
ORDER	S (mm)	L1 ±0,25 (mm)	L (mm)	Kg.
CPH 2800 025 V1	25	120	95	1.79
CPH 2800 038 V1	38	150	112	2.04
CPH 2800 050 V1	50	175	125	2.24
CPH 2800 063 V1	63	210	147	2.53
CPH 2800 080 V1	80	250	170	2.85



CODE				
		bar	psi	daN
CPH 2800 050 V1		170	2465	2700
-----		---	---	---



ENG ORDER	DEU BESTELLUNG	FRA COMMANDE	ITA ORDINE	ESP PEDIDO	POR PEDIDO
CPH	2800				



N <sub>2</sub>	Smax < 90%	Vmax 0,5 m/s	bar psi	bar psi	°C °F	°C °F	X
			20 290	175 2540	0 32	80 176	



# CPH 2800 V1 MOUNTS

Heavy Load

s mm mm L1 mm								
MODEL	<b>X</b> CW 1500 KZ 1500	<b>X</b>	CT 1500 CK 1500	CM 1500 CD 1500	<b>X</b> CPH 2800 CP 3000	CS 3000		
SERIES	MINI 	COMPACT HEIGHT 	THREADED 	LOW PROFILE 	HEAVY DUTY 	ISO 	HEAVY LOAD 	POWER COMPACT STROKE 

When using CP series mounted by screws the gas spring must be supported at all the times.  
A flat support surface in contact with the whole surface of the gas spring body is always required.



--	--	--	--	--

CODE	CPH 2800 050 V1	KIT S-XXXXXXX	<b>X</b>	06 CG 2-Q
ENG ORDER	GAS SPRING	REPAIR KIT	FLANGE	CHARGING ADAPTER
DEU BESTELLUNG	GASDRUCKFEDER	ERSATZTEILSATZ	FLANSCHEN	LADEADAPTER
FRA COMMANDE	RESSORT À GAZ	KIT DE RÉPARATION	BRIDE	RACCORD DE CHARGE
ITA ORDINE	CILINDRO AD AZOTO	KIT DI MANUTENZIONE	FLANGE	ADATTATORE DI CARICO
ESP PEDIDO	RESORTE DE GAS	KIT DE REPARACION	BRIDA	ADAPTADOR DE CARGA
POR PEDIDO	CILINDRO DE GÁS	KIT DE MANUTENÇÃO	FLANGE	ADAPTADOR DE CARGA