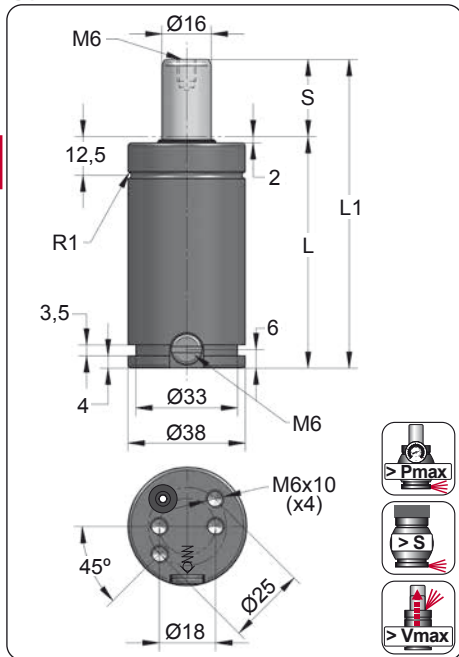


AG 250

ISO

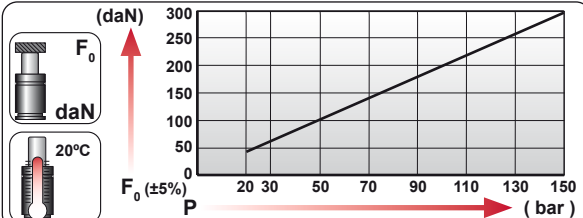
BMW B2 4006	FORD W-DX35-6203	PSA E24.54.815.G
	GM 90.25.00	RENAULT EM24.54.700
VW 39D 878		NISSAN K32S0



ORDER	S (mm)	L1 ±0.25 (mm)	L (mm)	Kg.
AG 250 010	10	70	60	0.39
AG 250 013	13	76	63	0.40
AG 250 016	16	82	66	0.41
AG 250 019	19	88	69	0.43
AG 250 025	25	100	75	0.45
AG 250 038	38	126	88	0.51
AG 250 050	50	150	100	0.56
AG 250 063	63.5	177	113.5	0.62
AG 250 080	80	210	130	0.69
AG 250 100	100	250	150	0.77
AG 250 125	125	300	175	0.88



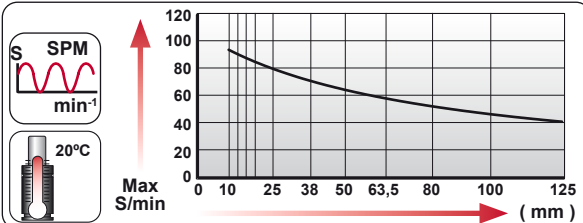
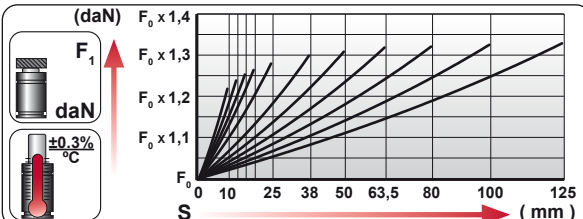
CODE				
	bar	psi	daN	daN
AG 250 050	125	1810	250	325
AG-H 250 050	0	0	---	---



EQUIPPED WITH VDI - SAFETY

	ENG ORDER		
	DEU BESTELLUNG	daN	mm
	FRA COMMANDE		
	ITA ORDINE		
	ESP PEDIDO		
POR PEDIDO			




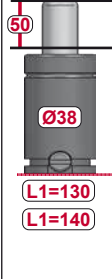




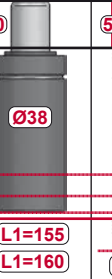


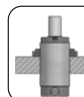





AG 250 050 **250** **50**



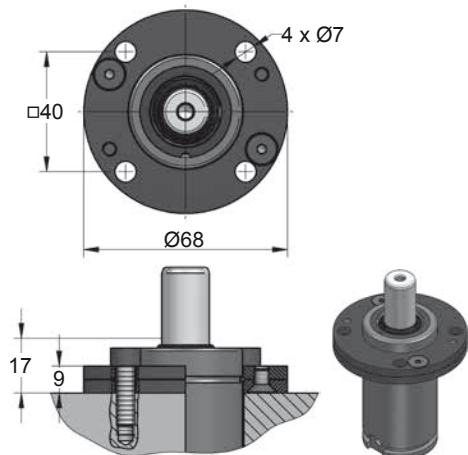
N ₂	S _{max} < 90%	V _{max} 1,6 m/s	P _{min} (20°C)	P _{max} (20°C)	T _{min}	T _{max}	600 CP-

bar	psi	bar	psi	°C	°F	°C	°F
20	290	150	2175	0	32	80	176

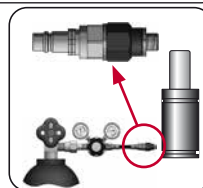
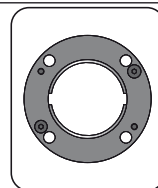
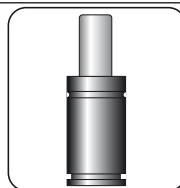
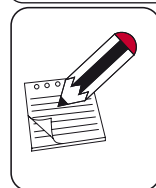
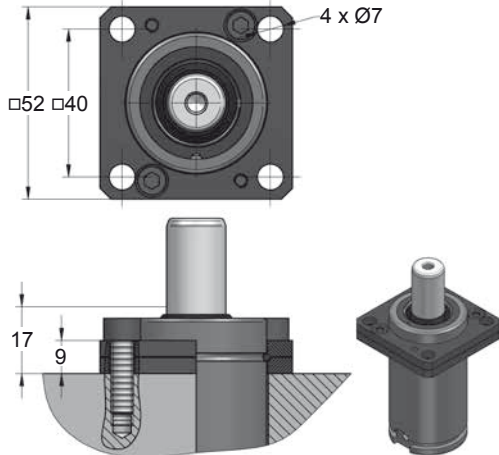
ISO

								
			Ø38 L1=130 L1=140	Ø38 L1=150	Ø38 L1=132 L1=137 L1=150	Ø38 L1=150 L1=155	Ø38 L1=155 L1=160	Ø38 L1=230
MODEL	X	CW 500 KZ 500	AS 300	CT 500 CK 500 FD 300	CD 500 CM 500	AG 250	CPH 850 CP 1000	CS 1000
SERIES	MINI 	COMPACT HEIGHT 	THREADED 	LOW PROFILE 	HEAVY DUTY 	ISO 	HEAVY LOAD 	POWER COMPACT STROKE 

A14-038



A34-038



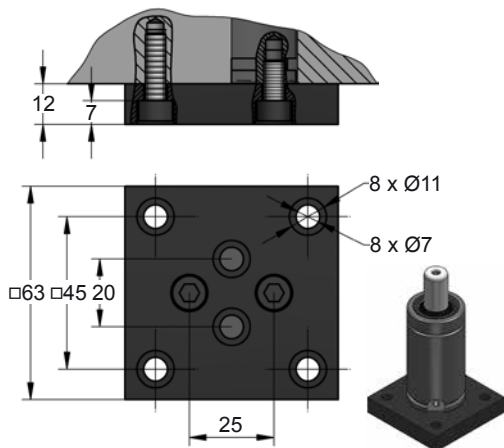
CODE	AG 250 050	KIT S-XXXXXXX KIT C-XXXXXXX	A14-038	06 CG 2-Q
ENG ORDER	GAS SPRING	REPAIR KIT	FLANGE	CHARGING ADAPTER
DEU BESTELLUNG	GASDRUCKFEDER	ERSATZTEILSATZ	FLANSCHEN	LADEADAPTER
FRA COMMANDE	RESSORT À GAZ	KIT DE RÉPARATION	BRIDE	RACCORD DE CHARGE
ITA ORDINE	CILINDRO AD AZOTO	KIT DI MANUTENZIONE	FLANGE	ADATTATORE DI CARICO
ESP PEDIDO	RESORTE DE GAS	KIT DE REPARACION	BRIDA	ADAPTADOR DE CARGA
POR PEDIDO	CILINDRO DE GÁS	KIT DE MANUTENÇÃO	FLANGE	ADAPTADOR DE CARGA

AG 250 MOUNTS

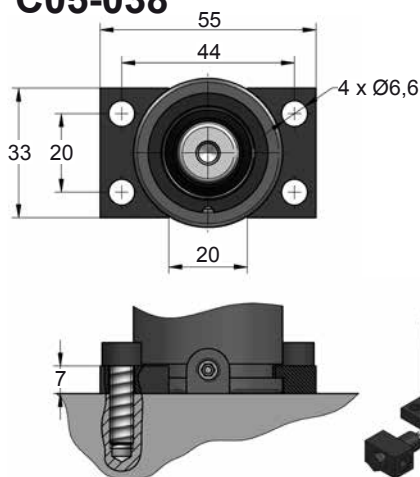
AZOL
GAS

150

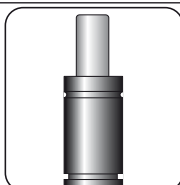
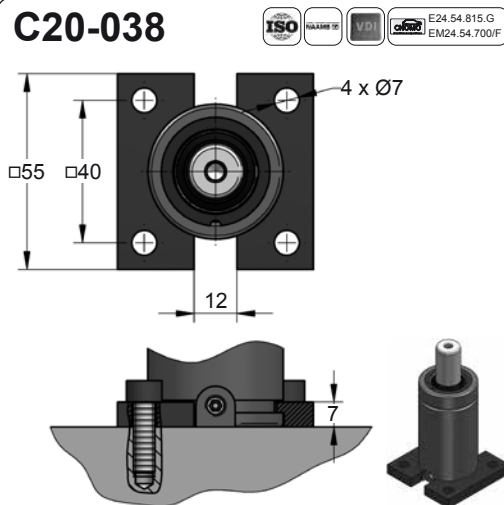
B76-038



C05-038



C20-038

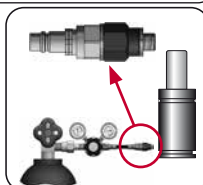
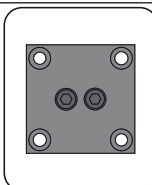


SEAL

KIT S-XXXXXXX

CARTRIDGE

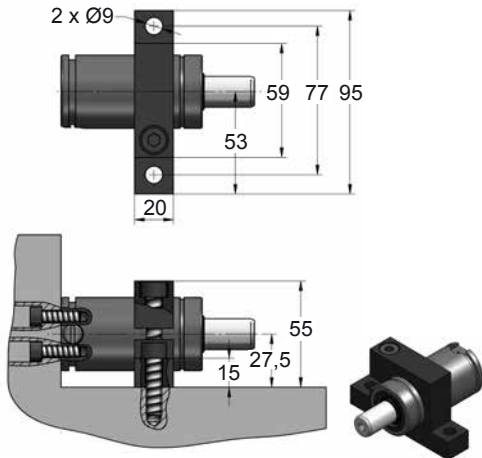
KIT C-XXXXXXX



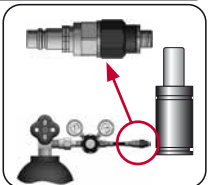
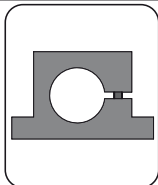
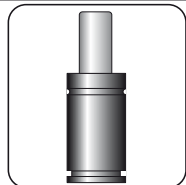
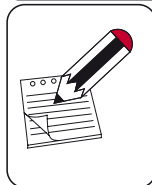
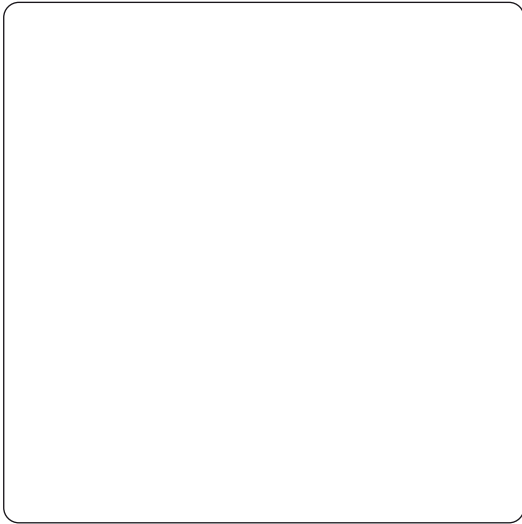
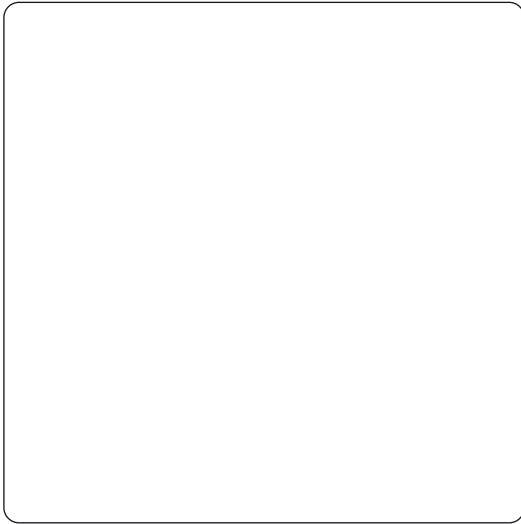
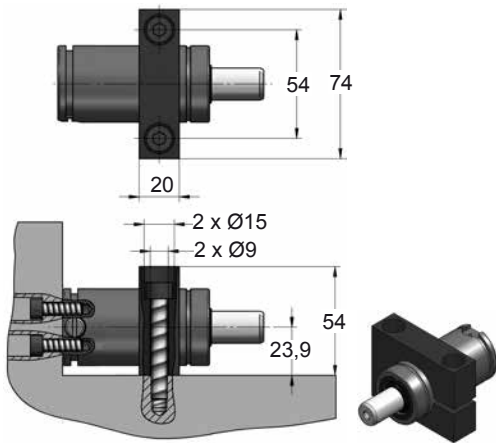
CODE	AG 250 050	KIT S-XXXXXXX KIT C-XXXXXXX	B76-038	06 CG 2-Q
ENG ORDER	GAS SPRING	REPAIR KIT	FLANGE	CHARGING ADAPTER
DEU BESTELLUNG	GASDRUCKFEDER	ERSATZTEILSATZ	FLANSCHEN	LADEADAPTER
FRA COMMANDE	RESSORT À GAZ	KIT DE RÉPARATION	BRIDE	RACCORD DE CHARGE
ITA ORDINE	CILINDRO AD AZOTO	KIT DI MANUTENZIONE	FLANGE	ADATTATORE DI CARICO
ESP PEDIDO	RESORTE DE GAS	KIT DE REPARACION	BRIDA	ADAPTADOR DE CARGA
POR PEDIDO	CILINDRO DE GAS	KIT DE MANUTENÇÃO	FLANGE	ADAPTADOR DE CARGA

D02-038

E24.54.815.G



D67-038



CODE	AG 250 050	KIT S-XXXXXXX KIT C-XXXXXXX	D02-038	06 CG 2-Q
ENG ORDER	GAS SPRING	REPAIR KIT	FLANGE	CHARGING ADAPTER
DEU BESTELLUNG	GASDRUCKFEDER	ERSATZTEILSATZ	FLANSCHEN	LADEADAPTER
FRA COMMANDE	RESSORT À GAZ	KIT DE RÉPARATION	BRIDE	RACCORD DE CHARGE
ITA ORDINE	CILINDRO AD AZOTO	KIT DI MANUTENZIONE	FLANGE	ADATTATORE DI CARICO
ESP PEDIDO	RESORTE DE GAS	KIT DE REPARACION	BRIDA	ADAPTADOR DE CARGA
POR PEDIDO	CILINDRO DE GÁS	KIT DE MANUTENÇÃO	FLANGE	ADAPTADOR DE CARGA