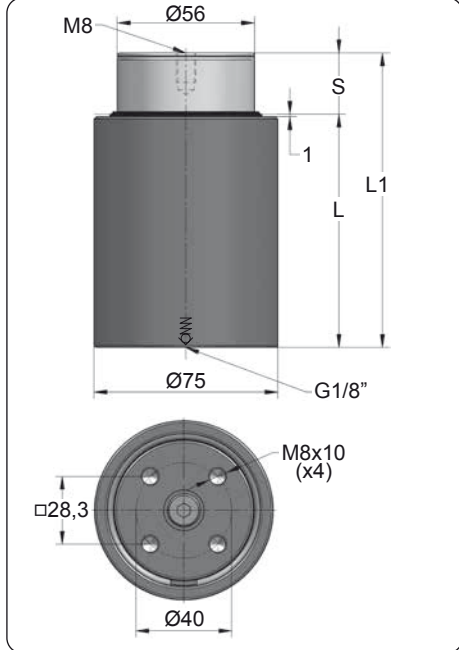


# CPH 4300 V1

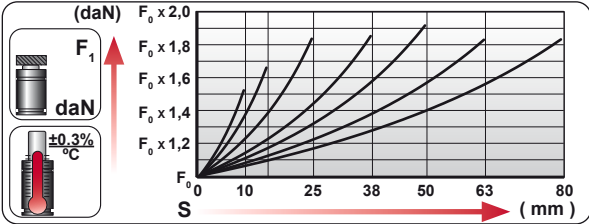
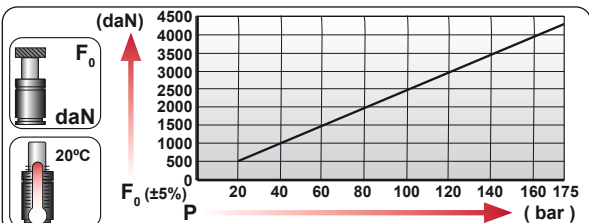
Heavy Load



ORDER	S (mm)	L1 ±0,25 (mm)	L (mm)	Kg.
CPH 4300 010 V1	10	90	80	2.19
CPH 4300 015 V1	15	100	85	2.30
CPH 4300 025 V1	25	120	95	2.51
CPH 4300 038 V1	38	150	112	2.81
CPH 4300 050 V1	50	175	125	3.07
CPH 4300 063 V1	63	210	147	3.42
CPH 4300 080 V1	80	250	170	3.83



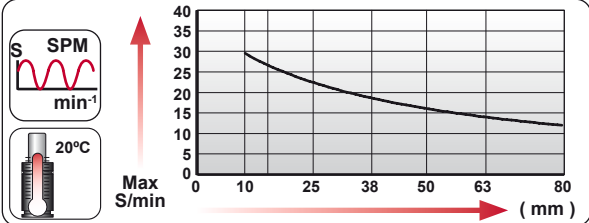
CODE				
	bar	psi	daN	daN
CPH 4300 050 V1	170	2465	4190	8045
-----	---	---	---	---



ENG ORDER  
 DEU BESTELLUNG  
 FRA COMMANDE  
 ITA ORDINE  
 ESP PEDIDO  
 POR PEDIDO

**F<sub>0</sub>** daN  
**S** mm

**CPH 4300 50**  
**CPH 4300 050 V1**



**N<sub>2</sub>**

**S<sub>max</sub> < 90%**

**V<sub>max</sub> 0,5 m/s**

**P<sub>min</sub> (20°C)**  
**P<sub>max</sub> (20°C)**

**T<sub>min</sub>**  
**T<sub>max</sub>**

<b>N<sub>2</sub></b>	<b>S<sub>max</sub> &lt; 90%</b>	<b>V<sub>max</sub> 0,5 m/s</b>	bar psi	bar psi	°C °F	°C °F	°C °F	<b>X</b>
			20 290	175 2540	0 32	80 176		

# CPH 4300 V1 MOUNTS

Heavy Load

<b>MODEL</b>	<b>X</b> CW 2400 KZ 2400	<b>X</b>	CT 2500 CK 2500 FD 1500	GN 1500 CM 2500 CD 2400	AG 1500	<b>CPH 4300</b> CP 5000	CS 4700	
<b>SERIES</b>	MINI 	COMPACT HEIGHT 	THREADED 	LOW PROFILE 	HEAVY DUTY 	ISO 	HEAVY LOAD 	POWER COMPACT STROKE 

When using CP series mounted by screws the gas spring must be supported at all the times.  
A flat support surface in contact with the whole surface of the gas spring body is always required.

--	--	--	--	--

<b>CODE</b>	<b>CPH 4300 050 V1</b>	<b>KIT S-XXXXXXX</b>	<b>X</b>	<b>18 CG 1-Q</b>
ENG ORDER	GAS SPRING	REPAIR KIT	FLANGE	CHARGING ADAPTER
DEU BESTELLUNG	GASDRUCKFEDER	ERSATZTEILSATZ	FLANSCHEN	LADEADAPTER
FRA COMMANDE	RESSORT À GAZ	KIT DE RÉPARATION	BRIDE	RACCORD DE CHARGE
ITA ORDINE	CILINDRO AD AZOTO	KIT DI MANUTENZIONE	FLANGE	ADATTATORE DI CARICO
ESP PEDIDO	RESORTE DE GAS	KIT DE REPARACION	BRIDA	ADAPTADOR DE CARGA
POR PEDIDO	CILINDRO DE GÁS	KIT DE MANUTENÇÃO	FLANGE	ADAPTADOR DE CARGA