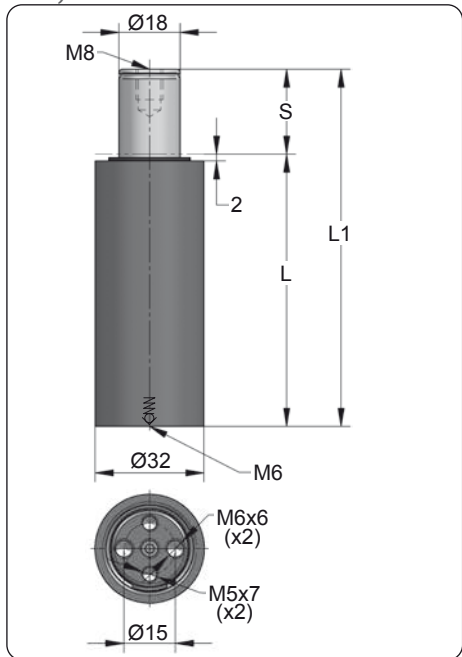


CP 500 V1

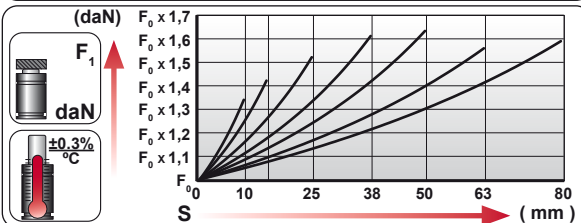
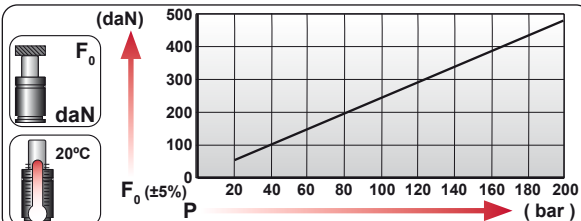
Heavy Load



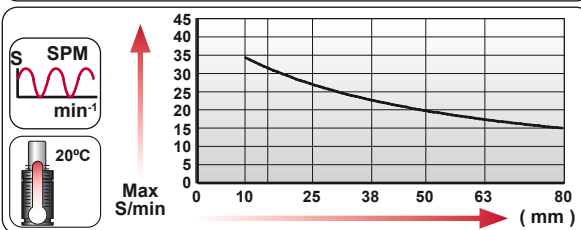
ORDER	S (mm)	L1 ±0,25 (mm)	L (mm)	Kg.
CP 500 010 V1	10	75	65	0.30
CP 500 015 V1	15	85	70	0.32
CP 500 025 V1	25	105	80	0.36
CP 500 038 V1	38	130	92	0.41
CP 500 050 V1	50	155	105	0.46
CP 500 063 V1	63	190	127	0.53
CP 500 080 V1	80	225	145	0.60



CODE				
	bar	psi	daN	daN
CP 500 050 V1	190	2755	485	795
-----	---	---	---	---



	ENG ORDER DEU BESTELLUNG FRA COMMANDE ITA ORDINE ESP PEDIDO POR PEDIDO	 daN	 mm
	CP 500 50		
	CP 500 050 V1		



N ₂	S _{max} < 90%	V _{max} 0,5 m/s	P _{min} (20°C)	P _{max} (20°C)	T _{min}	T _{max}	

bar	psi	bar	psi	°C	°F	°C	°F	
20	290	200	2900	0	32	80	176	

CP 500 V1 MOUNTS

Heavy Load

MODEL	AFT	CW 350 KZ 350	X	CT 300 CK 300	CM 350 CD 300	AG 150	CP 500	CS 770
SERIES	MINI	COMPACT HEIGHT	THREADED	LOW PROFILE	HEAVY DUTY	ISO	HEAVY LOAD	POWER COMPACT STROKE

When using CP series mounted by screws the gas spring must be supported at all the times.
A flat support surface in contact with the whole surface of the gas spring body is always required.

--	--	--	--	--

CODE	CP 500 050 V1	KIT S-XXXXXXX	X	06 CG 2-Q
ENG ORDER	GAS SPRING	REPAIR KIT	FLANGE	CHARGING ADAPTER
DEU BESTELLUNG	GASDRUCKFEDER	ERSATZTEILSATZ	FLANSCHEN	LADEADAPTER
FRA COMMANDE	RESSORT À GAZ	KIT DE RÉPARATION	BRIDE	RACCORD DE CHARGE
ITA ORDINE	CILINDRO AD AZOTO	KIT DI MANUTENZIONE	FLANGE	ADATTATORE DI CARICO
ESP PEDIDO	RESORTE DE GAS	KIT DE REPARACION	BRIDA	ADAPTADOR DE CARGA
POR PEDIDO	CILINDRO DE GÁS	KIT DE MANUTENÇÃO	FLANGE	ADAPTADOR DE CARGA