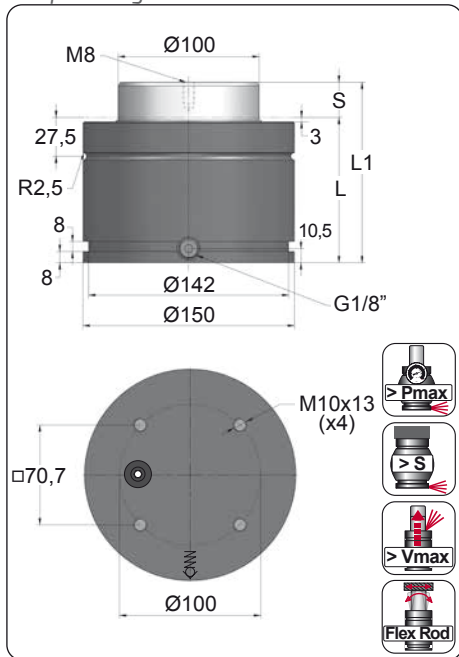


CW 11800

Compact Height



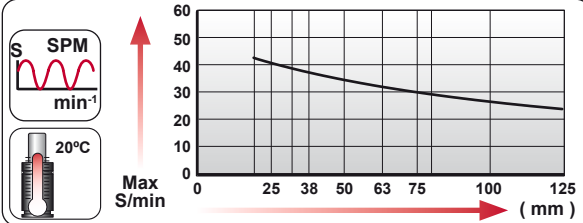
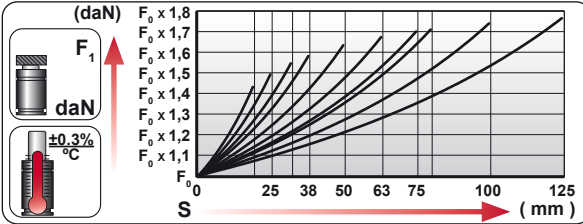
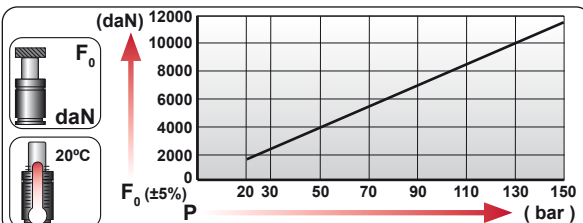
| ORDER | S (mm) | L1 ±0.25 (mm) | L (mm) | Kg. |
|--------------|--------|---------------|--------|-------|
| CW 11800 019 | 19 | 116 | 97 | 9.89 |
| CW 11800 025 | 25 | 128 | 103 | 10.31 |
| CW 11800 032 | 32 | 142 | 110 | 10.79 |
| CW 11800 038 | 38 | 154 | 116 | 11.21 |
| CW 11800 050 | 50 | 178 | 128 | 12.04 |
| CW 11800 063 | 63 | 204 | 141 | 12.94 |
| CW 11800 075 | 75 | 228 | 153 | 13.78 |
| CW 11800 080 | 80 | 238 | 158 | 14.12 |
| CW 11800 100 | 100 | 278 | 178 | 15.51 |
| CW 11800 125 | 125 | 328 | 203 | 17.25 |



| CODE | | | | |
|----------------|-----|------|-------|-------|
| | bar | psi | daN | daN |
| CW 11800 050 | 150 | 2175 | 11780 | 19265 |
| CW-H 11800 050 | 0 | 0 | --- | --- |

EQUIPPED WITH VDI - SAFETY

| | | | |
|---------------------|---|--------------|-----------|
| | ENG ORDER DEU BESTELLUNG FRA COMMANDE ITA ORDINE ESP PEDIDO POR PEDIDO | daN | mm |
| CW 11800 050 | | 11800 | 50 |



| | | | | | | | |
|----------------------|---------------------------------|--------------------------------|-------------------------------|-------------------------------|------------------------|------------------------|----------------|
| | | | | | | | |
| N₂ | S_{max} < 90% | V_{max} 1,6 m/s | P_{min} (20°C) | P_{max} (20°C) | T_{min} | T_{max} | 600 CP- |

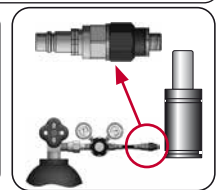
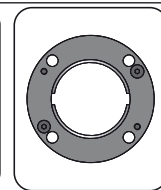
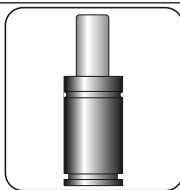
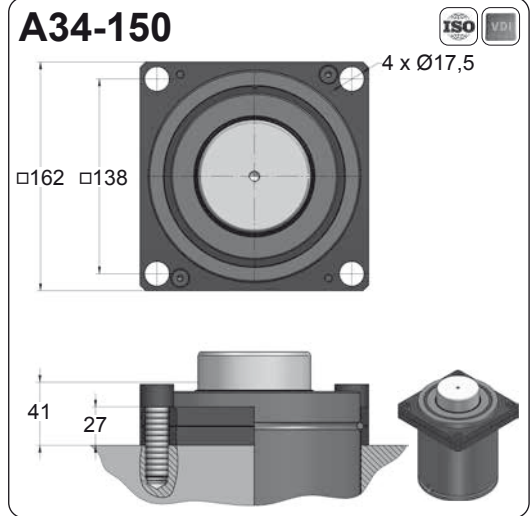
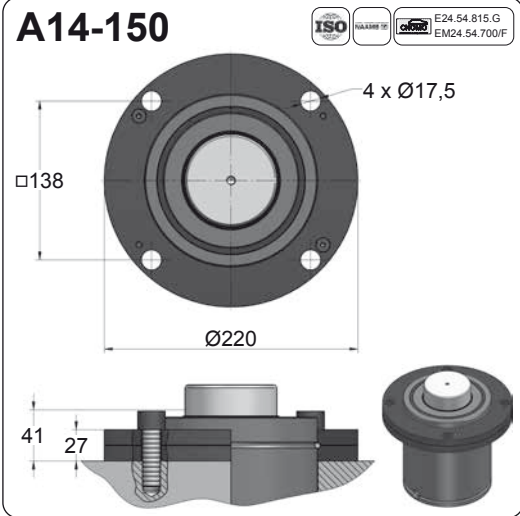
| | | | | | | | |
|----------------------|---------------------------------|--------------------------------|--------------------------|----------------------------|----------------------|------------------------|----------------|
| N₂ | S_{max} < 90% | V_{max} 1,6 m/s | bar psi 20 290 | bar psi 150 2175 | °C °F 0 32 | °C °F 80 176 | 600 CP- |
|----------------------|---------------------------------|--------------------------------|--------------------------|----------------------------|----------------------|------------------------|----------------|



CW 11800 MOUNTS

Compact Height

| | | | | | | | | |
|---------------|----------|--------------------------------|----------|-------------|--------------------------------|---------|------------|----------------------|
| | | | | | | | | |
| | | | | | | | | |
| | | | | | | | | |
| MODEL | X | CW 9500 CW 11800 KT 9500 | X | X | GN 7500 CM 10000 CD 9600 | AG 7500 | X | CS 18300 |
| SERIES | MINI | COMPACT HEIGHT | THREADED | LOW PROFILE | HEAVY DUTY | ISO | HEAVY LOAD | POWER COMPACT STROKE |
| | | | | | | | | |



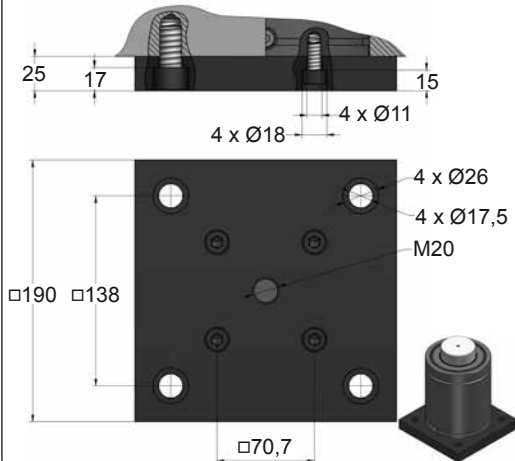
| | | | | |
|----------------|---------------------|--|----------------|----------------------|
| CODE | CW 11800 050 | KIT S-XXXXXXX KIT C-XXXXXXX | A14-150 | 18 CG 1-Q |
| ENG ORDER | GAS SPRING | REPAIR KIT | FLANGE | CHARGING ADAPTER |
| DEU BESTELLUNG | GASDRUCKFEDER | ERSATZTEILSATZ | FLANSCHEN | LADEADAPTER |
| FRA COMMANDE | RESSORT À GAZ | KIT DE RÉPARATION | BRIDE | RACCORD DE CHARGE |
| ITA ORDINE | CILINDRO AD AZOTO | KIT DI MANUTENZIONE | FLANGE | ADATTATORE DI CARICO |
| ESP PEDIDO | RESORTE DE GAS | KIT DE REPARACION | BRIDA | ADAPTADOR DE CARGA |
| POR PEDIDO | CILINDRO DE GÁS | KIT DE MANUTENÇÃO | FLANGE | ADAPTADOR DE CARGA |

CW 11800 MOUNTS

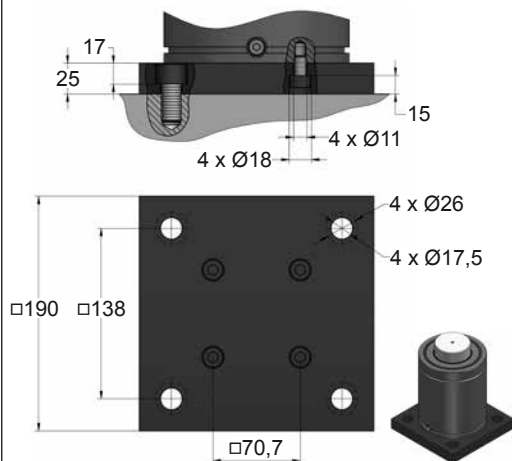
Compact Height

**AZOL
GAS** 

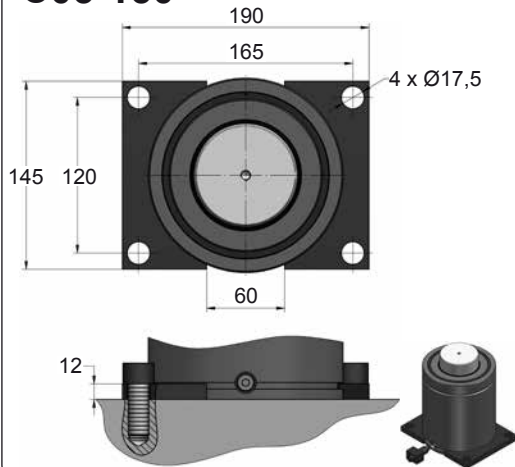
B36-150



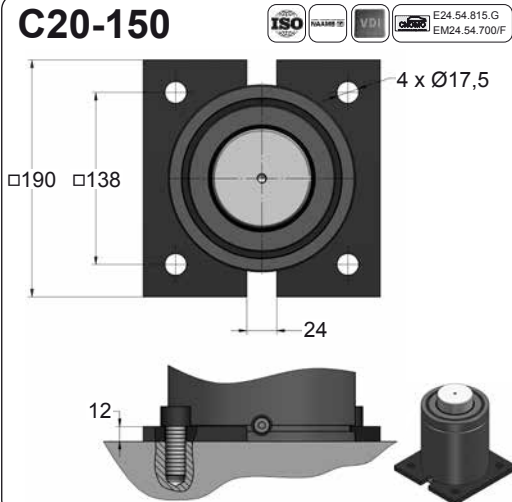
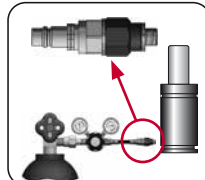
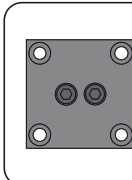
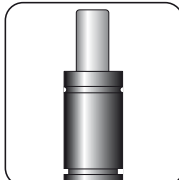
B41-150



C05-150



C20-150

E24.54.815.G
EM24.54.700/F

| CODE | CW 11800 050 | KIT S-XXXXXXX KIT C-XXXXXXX | B36-150 | 18 CG 1-Q |
|----------------|-------------------|--------------------------------|-----------|----------------------|
| ENG ORDER | GAS SPRING | REPAIR KIT | FLANGE | CHARGING ADAPTER |
| DEU BESTELLUNG | GASDRUCKFEDER | ERSATZTEILSATZ | FLANSCHEN | LADEADAPTER |
| FRA COMMANDE | RESSORT À GAZ | KIT DE RÉPARATION | BRIDE | RACCORD DE CHARGE |
| ITA ORDINE | CILINDRO AD AZOTO | KIT DI MANUTENZIONE | FLANGE | ADATTATORE DI CARICO |
| ESP PEDIDO | RESORTE DE GAS | KIT DE REPARACION | BRIDA | ADAPTADOR DE CARGA |
| POR PEDIDO | CILINDRO DE GÁS | KIT DE MANUTENÇÃO | FLANGE | ADAPTADOR DE CARGA |



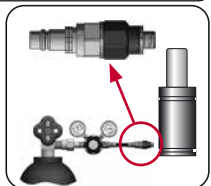
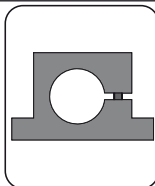
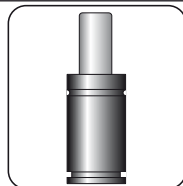
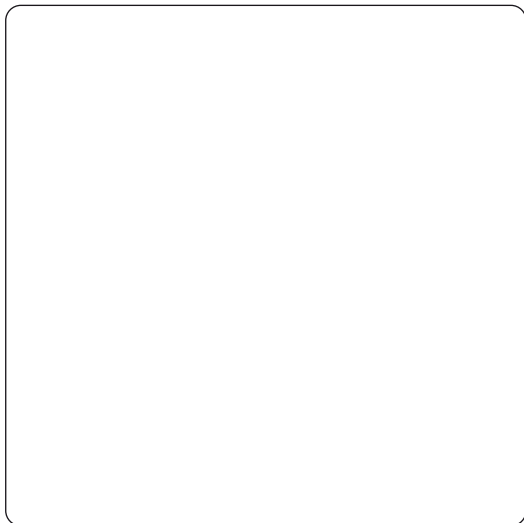
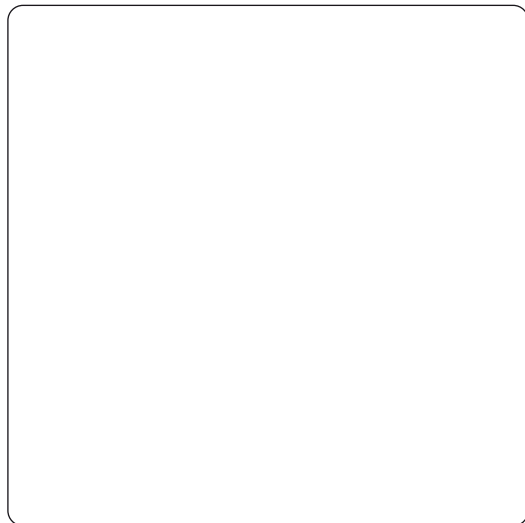
CW 11800 MOUNTS

Compact Height

D02-150

2 x Ø13,5

D67-150



| CODE | CW 11800 050 | KIT S-XXXXXXX KIT C-XXXXXXX | D02-150 | 18 CG 1-Q |
|----------------|-------------------|--------------------------------|-----------|----------------------|
| ENG ORDER | GAS SPRING | REPAIR KIT | FLANGE | CHARGING ADAPTER |
| DEU BESTELLUNG | GASDRUCKFEDER | ERSATZTEILSATZ | FLANSCHEN | LADEADAPTER |
| FRA COMMANDE | RESSORT À GAZ | KIT DE RÉPARATION | BRIDE | RACCORD DE CHARGE |
| ITA ORDINE | CILINDRO AD AZOTO | KIT DI MANUTENZIONE | FLANGE | ADATTATORE DI CARICO |
| ESP PEDIDO | RESORTE DE GAS | KIT DE REPARACION | BRIDA | ADAPTADOR DE CARGA |
| POR PEDIDO | CILINDRO DE GÁS | KIT DE MANUTENÇÃO | FLANGE | ADAPTADOR DE CARGA |