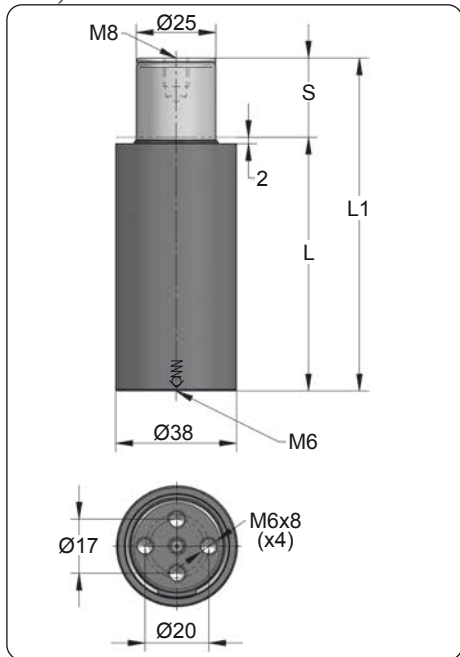


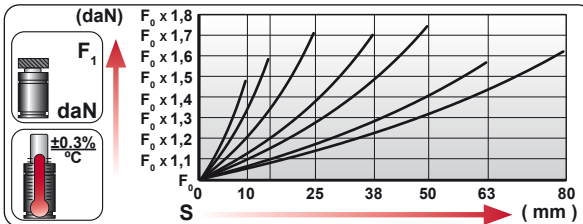
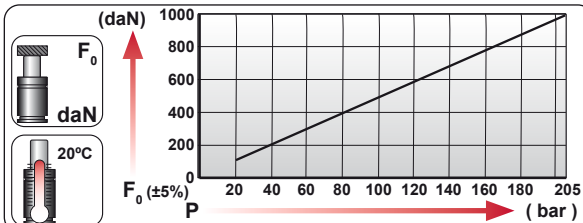
CP 1000 V1

Heavy Load

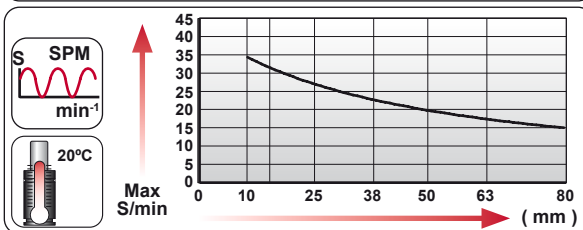


ORDER	S (mm)	L1 ±0,25 (mm)	L (mm)	Kg.
CP 1000 010 V1	10	75	65	0.43
CP 1000 015 V1	15	85	70	0.46
CP 1000 025 V1	25	105	80	0.51
CP 1000 038 V1	38	135	97	0.59
CP 1000 050 V1	50	160	110	0.65
CP 1000 063 V1	63	205	142	0.77
CP 1000 080 V1	80	240	160	0.86

CODE				
		bar	psi	daN
CP 1000 050 V1		195	2830	960
-----		---	---	---



	ENG ORDER DEU BESTELLUNG FRA COMMANDE ITA ORDINE ESP PEDIDO POR PEDIDO	 daN	 mm
	CP 1000 50		
	CP 1000 050 V1		



N ₂	S _{max} < 90%	V _{max} 0,5 m/s	P _{min} (20°C)	P _{max} (20°C)	T _{min}	T _{max}	

bar	psi	bar	psi	°C	°F	°C	°F	
20	290	205	2975	0	32	80	176	



CP 1000 V1 MOUNTS

Heavy Load

s mm mm L1 mm	Ø38 L1=130 L1=140	Ø38 L1=150	Ø38 L1=132 L1=137	Ø38 L1=150 L1=155	Ø38 L1=150	Ø38 L1=155 L1=160	Ø38 L1=230	
MODEL	X	CW 500 KZ 500	AS 300	CT 500 CK 500	CM 500 CD 500	AG 250	CPH 850 CP 1000	CS 1000
SERIES	MINI 	COMPACT HEIGHT 	THREADED 	LOW PROFILE 	HEAVY DUTY 	ISO 	HEAVY LOAD 	POWER COMPACT STROKE

When using CP series mounted by screws the gas spring must be supported at all the times.
A flat support surface in contact with the whole surface of the gas spring body is always required.

		<p>SEAL KIT S-XXXXXXX</p>		
--	--	---------------------------	--	--

CODE	CP 1000 050 V1	KIT S-XXXXXXX	X	06 CG 2-Q
ENG ORDER	GAS SPRING	REPAIR KIT	FLANGE	CHARGING ADAPTER
DEU BESTELLUNG	GASDRUCKFEDER	ERSATZTEILSATZ	FLANSCHEN	LADEADAPTER
FRA COMMANDE	RESSORT À GAZ	KIT DE RÉPARATION	BRIDE	RACCORD DE CHARGE
ITA ORDINE	CILINDRO AD AZOTO	KIT DI MANUTENZIONE	FLANGE	ADATTATORE DI CARICO
ESP PEDIDO	RESORTE DE GAS	KIT DE REPARACION	BRIDA	ADAPTADOR DE CARGA
POR PEDIDO	CILINDRO DE GÁS	KIT DE MANUTENÇÃO	FLANGE	ADAPTADOR DE CARGA