
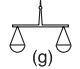


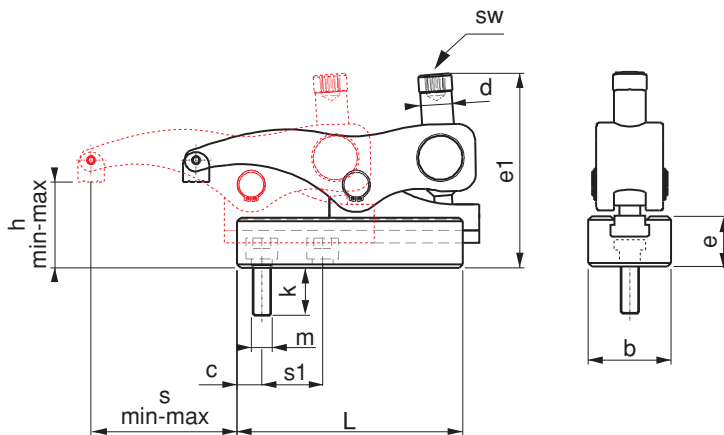
Referans Nr.		h		s	s1	e1	d	SW	L	e	b	c	k	Sıkma Kuvveti Clamping Force Kgf	 (g)
		min	max												
1120-010 M	M10	0	50	12-66	25	100	M14	8	104	35.5	38	13	20	1600	1700
1120-012 M	M12	0	50	12-66	25	100	M14	8	104	35.5	38	13	20	1600	1700
1130-012 M	M12	0	60	15-83	30	113	M18	10	130	39	48	17.5	22	2000	3000
1130-016 M	M16	0	60	15-83	30	113	M18	10	130	39	48	17.5	26	2000	3030

**Product Nr. 1120 Combined Sliding Clamp**

- In the outer holes M10-M12 are used with the Reference Nr. imbus bolt (1120-310)-(1120-312)
- Height clamping gap of the piece is 0-50mm and Clamping Force is 1600 kgf.

**Product Nr. 1130 Combined Sliding Clamp**

- In the outer holes M12-M16 are used with the Reference Nr. imbus bolt (1130-412)-(1130-416)
- Height clamping gap of the piece is 0-60mm and Clamping Force is 2000 kgf.


**ADVANTAGES**

- 1600 kgf - 2000 kgf Clamping Force.
- Usings in the hole and T-Slot.
- Ability to be fixed in various positions by sliding on the slide.
- It clamps high and low distances without support with the imbus bolt.
- It provides rapid and easy connection due to it's practical structure.

