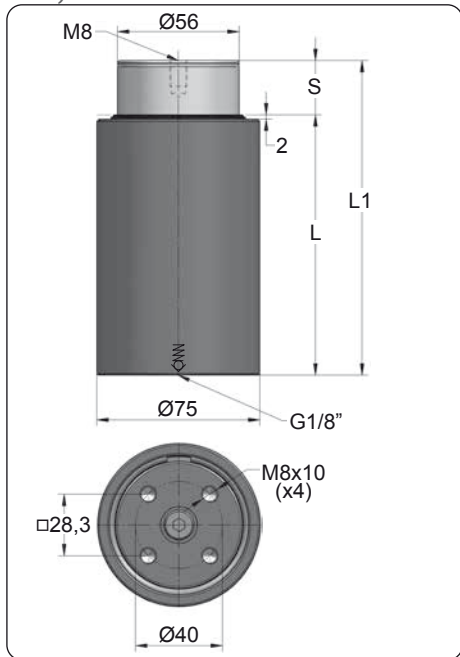


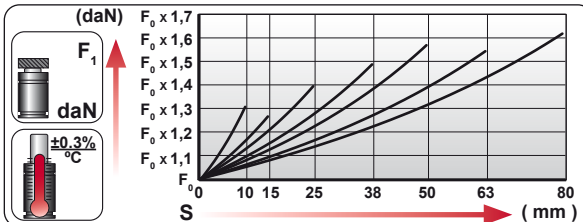
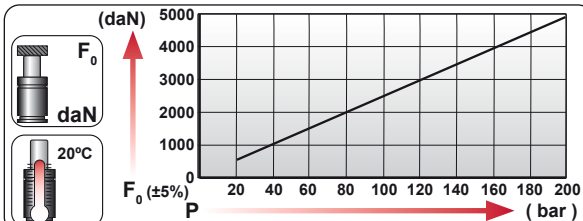
CP 5000 V1

Heavy Load



ORDER	S (mm)	L1 ±0,25 (mm)	L (mm)	Kg.
CP 5000 010 V1	10	100	90	2.30
CP 5000 015 V1	15	125	110	2.54
CP 5000 025 V1	25	145	120	2.75
CP 5000 038 V1	38	175	137	3.05
CP 5000 050 V1	50	200	150	3.31
CP 5000 063 V1	63	240	177	3.71
CP 5000 080 V1	80	275	195	4.07

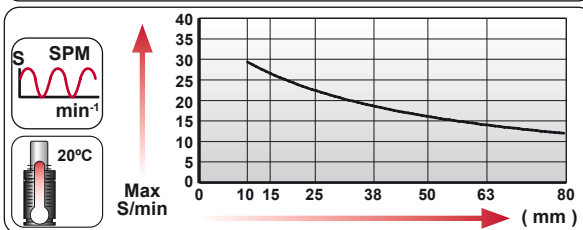
CODE				
	bar	psi	daN	daN
CP 5000 050 V1	200	2900	4925	7740
-----	---	---	---	---



ENG ORDER
 DEU BESTELLUNG
 FRA COMMANDE
 ITA ORDINE
 ESP PEDIDO
 POR PEDIDO

F₀ daN
S mm

CP 5000 50
CP 5000 050 V1



	S_{max} < 100%	V_{max} 0,5 m/s	P_{min} (20°C)	P_{max} (20°C)	T_{min}	T_{max}	
--	----------------------------------	--------------------------------	-------------------------------	-------------------------------	------------------------	------------------------	--

N ₂	S _{max} < 90%	V _{max} 0,5 m/s	bar psi	bar psi	°C °F	°C °F	°C °F	
			20 290	200 2900	0 32	80 176		



CP 5000 V1 MOUNTS

Heavy Load

MODEL	X CW 2400 KZ 2400	X	CT 2500 CK 2500 FD 1500	GN 1500 CM 2500 CD 2400	AG 1500	CPH 4300 CP 5000	CS 4700	
SERIES	MINI 	COMPACT HEIGHT 	THREADED 	LOW PROFILE 	HEAVY DUTY 	ISO 	HEAVY LOAD 	POWER COMPACT STROKE

When using CP series mounted by screws the gas spring must be supported at all the times.
A flat support surface in contact with the whole surface of the gas spring body is always required.

CODE	CP 5000 050 V1	KIT S-XXXXXXX	X	18 CG 1-Q
ENG ORDER	GAS SPRING	REPAIR KIT	FLANGE	CHARGING ADAPTER
DEU BESTELLUNG	GASDRUCKFEDER	ERSATZTEILSATZ	FLANSCHEN	LADEADAPTER
FRA COMMANDE	RESSORT À GAZ	KIT DE RÉPARATION	BRIDE	RACCORD DE CHARGE
ITA ORDINE	CILINDRO AD AZOTO	KIT DI MANUTENZIONE	FLANGE	ADATTATORE DI CARICO
ESP PEDIDO	RESORTE DE GAS	KIT DE REPARACION	BRIDA	ADAPTADOR DE CARGA
POR PEDIDO	CILINDRO DE GÁS	KIT DE MANUTENÇÃO	FLANGE	ADAPTADOR DE CARGA