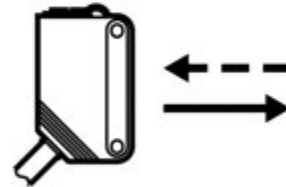
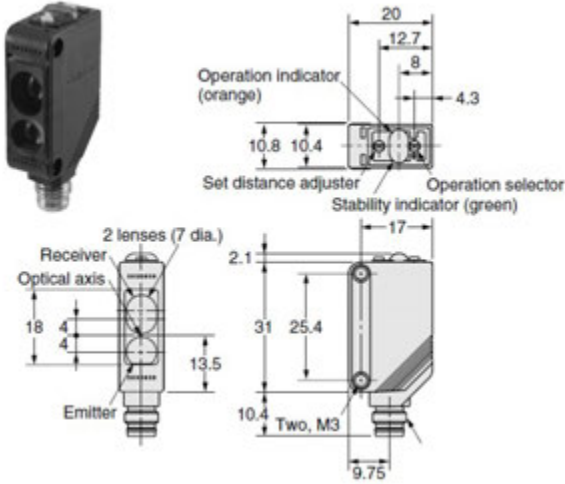


CA.14 OM.E3Z

SENSORS

. Distance-settable (Laser)

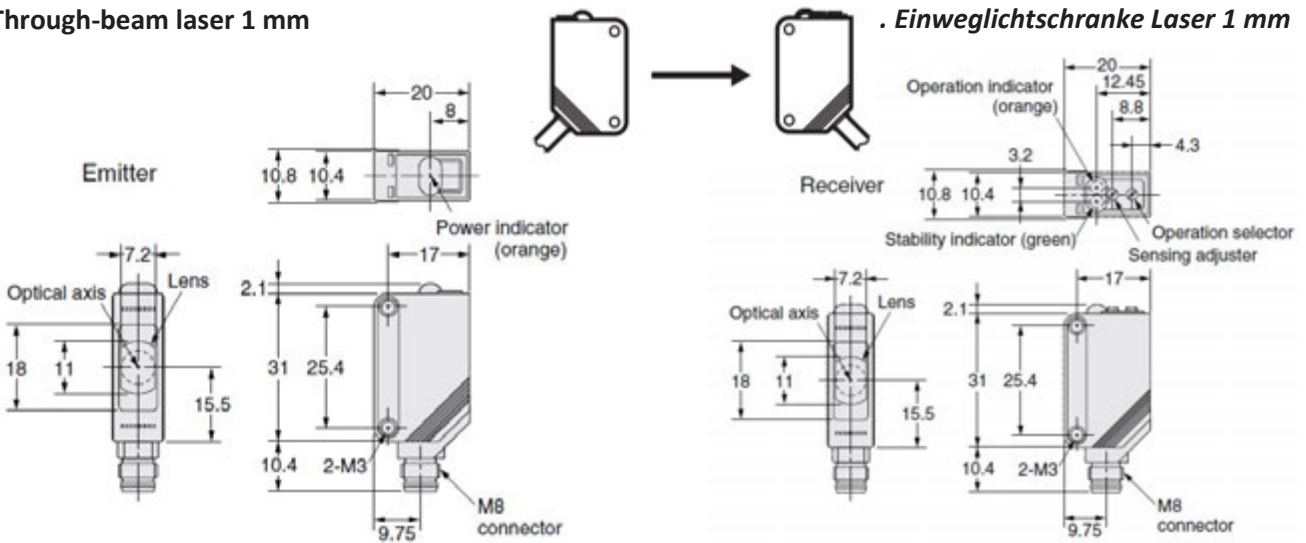
. Hinter-Vordergrundausbldung (Laser)



Article no.	Output	Power supply voltage	Sensor type	Sensing distance	Connector method
OM.E3Z-LS86.OMS	PNP	12 to 24 VDC ±10%	Distance-settable	30 to 200 mm	Connector type M8 7 4pin
OM.E3Z-LS66.OMS	NPN				

. Through-beam laser 1 mm

. Einweglichtschranke Laser 1 mm



Article no.	Output	Power supply voltage	Sensor type	Sensing distance	Connector method
OM.E3Z-LT86.OMS	PNP	12 to 24 VDC ±10%	Through-beam	15 m	Connector type M8 4pin
OM.E3Z-LT66.OMS	NPN				