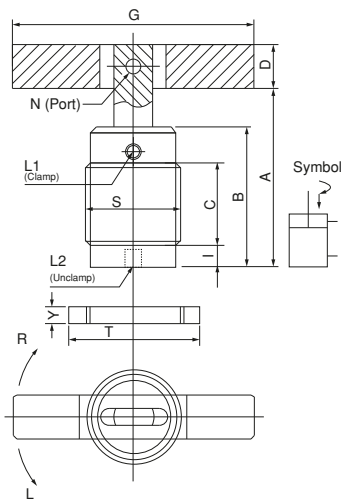


| Referans Nr. | Mounting Type | Clamping Arm | Max. Pressure | Normal Pres. | Acting Type | Swivel Angle | Swivel Stroke (mm) | Clamp. Str. (mm) | Bore Diameter Ø (mm) | Piston Rod Ø | Clamp Force (25kg/cm ²) | A (mm) Unclamp | B (mm) | C (mm) | D (mm) | G (mm) | I (mm) | L1 Clamp L2 Unclamp | N (mm) | S (mm) | T (mm) 2 pcs/set | Y (mm) | Weight (kg) |
|---------------|---------------|--------------|-----------------------|--------------------------|---------------|------------------------------|--------------------|------------------|----------------------|--------------|-------------------------------------|----------------|--------|--------|---------|--------|--------|------------------------|--------|-------------|------------------|--------|-------------|
| 1050-NHTSD-25 | Threaded Body | Double Arm | 70 kg/cm ² | 20-45 kg/cm ² | Double Acting | 90° (0° 45°, 60°, 180°) ± 2° | 12 | 14 | 25 | 18 | 59 | 100 | 70 | 35 | □ 19 | 100 | 9 | 1/8 PT | Ø 8 | M45 x1.5 | Ø 65 | 10 | 0.9 |
| 1050-NHTSD-32 | | | | | | | 14 | 15 | 32 | 20 | 125 | 111 | 76 | 45 | □ 22 | 120 | 10 | 1/8 PT | Ø 8 | M50 x1.5 | Ø 70 | 11 | 1.2 |
| 1050-NHTSD-40 | | | | | | | 14 | 15 | 40 | 20 | 200 | 113.6 | 80 | 45 | □ 22 | 120 | 10 | 1/8 PT | Ø 8 | M55 x1.5 | Ø 75 | 11 | 1.4 |
| 1050-NHTSD-50 | | | | | | | 14 | 14 | 50 | 20 | 400 | 120 | 87 | 50 | □ 22 | 120 | 10 | 1/8 PT | Ø 8 | M65 x1.5 | Ø 85 | 12 | 1.85 |



Product Nr. 1050 Hydraulic Swing Clamp

NHTSD – Threaded Version, Double Arms With Pipe

- Before buying please, movement indicate the type and rotation angle.

