
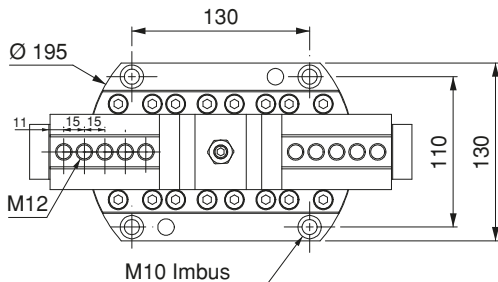
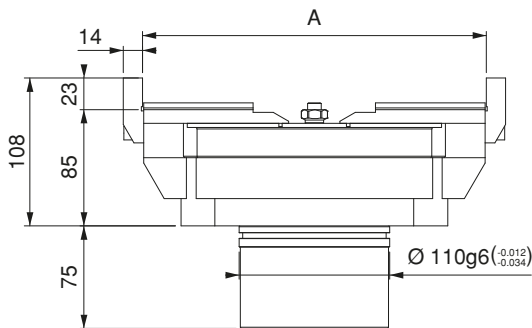


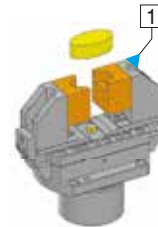
Referans Nr.	A min-max	Strok	Hydraulic Bar	Clamping force kgf	 (kg)
2305-0251	0 - 251	13 x 2	30	750	15.2
			40	1000	
			50	1250	
			60	1500	

Product Nr. 2305 Hydraulic Centering Vice

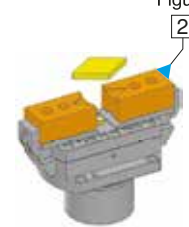
- This product fixes the material to be processed and at the same time it makes centering. The advantage of this system specially shows itself when making machinings of the materials having different outer diameter measurements as it implements this process without changing the center. It's other characteristic is to apply the form of the piece to be machined with soft claws (as seen in Figures: 1-2-3-4-5 and 6).
- Entire moving surface is sensitively grinded and hardened.
- Hydraulic system works
- Oil inlet - Oil outlet
- Black coating



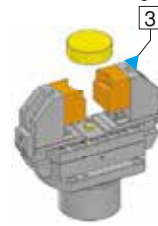
Şekil Figure 1



Şekil Figure 2



Şekil Figure 3



Şekil Figure 4

