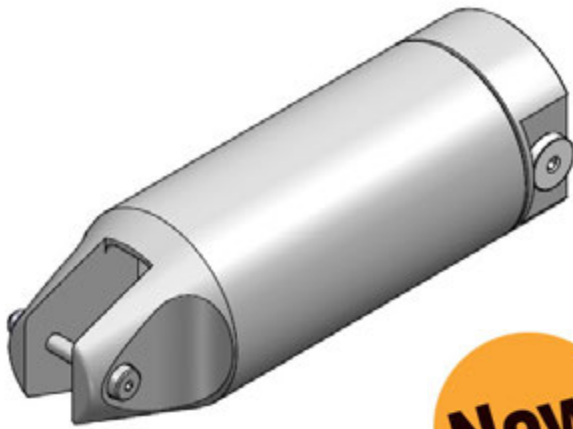


CA.10.FP

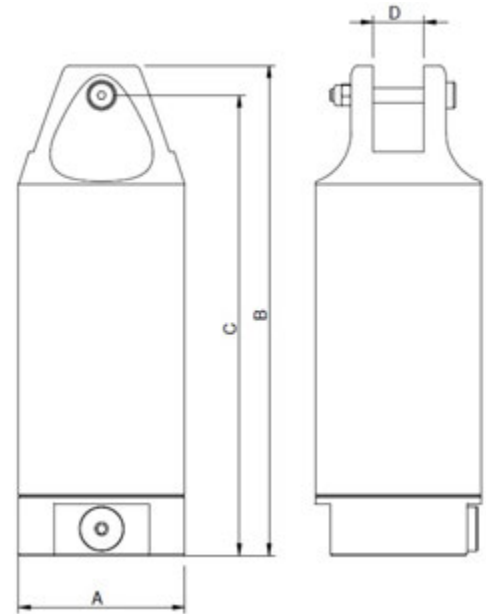
. ATE

. Air nipper actuators

. Pneumatische Antriebe für Schneidzangen



New



Article no.	Closing force each blade	Cycle air consumption	Weight
CA.ATE.05M	11 Nm	64 cm ³	97 g
CA.ATE.10M	38 Nm	116 cm ³	147 g
CA.ATE.20M	67 Nm	230 cm ³	255 g
CA.ATE.30AM	150 Nm	584 cm ³	452 g
CA.ATE.50AM	116 Nm	1170 cm ³	911 g

Application examples / Anwendungsbeispiele

Article no.	A	B	C	D
CA.ATE.05M	30	94.3	87	7.1
CA.ATE.10M	36	114.5	107.8	12
CA.ATE.20M	45	129	119.8	
CA.ATE.30AM	56	165	155	17
CA.ATE.50AM	75	181	172	

