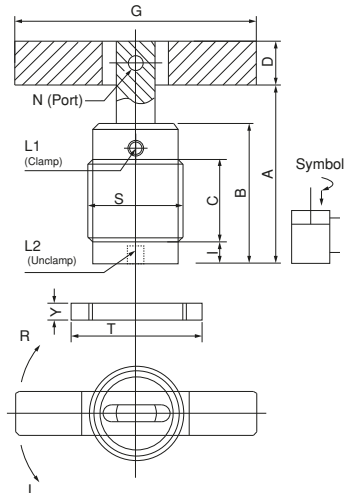


| Referans Nr. | Mounting Type | Clamping Arm | Max. Pressure | Normal Pres. | Acting Type | Swivel Angle | Swivel Stroke (mm) | Clamp. Str. (mm) | Bore Diameter Ø (mm) | Piston Rod Ø | Clamp Force (kg/cm ²) | A (mm) Unclamp | B (mm) | C (mm) | D (mm) | G (mm) | I (mm) | L1 Clamp L2 Unclamp | N (mm) | S (mm) | T (mm) 2 pcs/set | Y (mm) | Weight (kg) |
|---------------|---------------|--------------|----------------------|------------------------|---------------|----------------------------|--------------------|------------------|----------------------|--------------|-----------------------------------|----------------|--------|--------|---------|--------|--------|------------------------|--------|-------------|------------------|--------|-------------|
| 1058-NATSD032 | Threaded Body | Double Arm | 7 kg/cm ² | 4-6 kg/cm ² | Double Acting | 90° (0°-45°-60°-180°) ± 2° | 14 | 16 | 32 | 16 | 30 | 113 | 79 | 40 | □ 19 | 100 | 13 | 1/8 PT | Ø 8 | M50 x1.5 | Ø 70 | 11 | 1.10 |
| 1058-NATSD040 | | | | | | | 14 | 15 | 40 | 16 | 50 | 116 | 83 | 45 | □ 19 | 100 | 13 | 1/8 PT | Ø 8 | M55 x1.5 | Ø 75 | 11 | 1.30 |
| 1058-NATSD050 | | | | | | | 14 | 14 | 50 | 20 | 85 | 120 | 77 | 50 | □ 22 | 120 | 13 | 1/8 PT | Ø 8 | M65 x1.5 | Ø 85 | 12 | 1.80 |



Product Nr. 1058 Pneumatic Swing Clamp

NATSD – Threaded Version, Double Arms With Pipe

- Before buying please, movement indicate the type and rotation angle.

