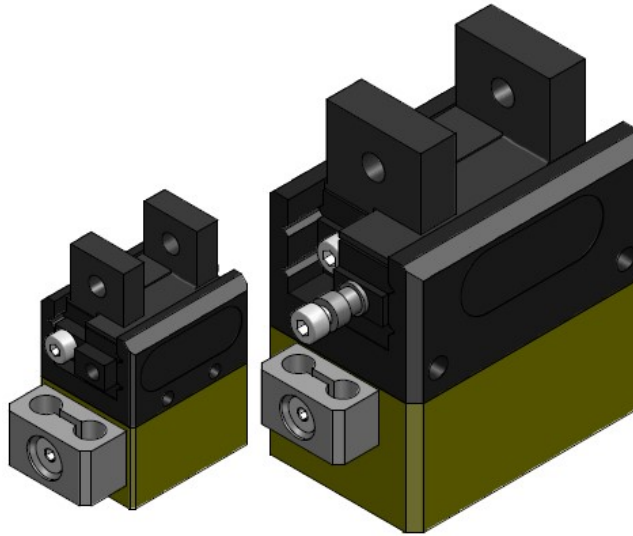


CA.09 MPG

. Parallel gripper

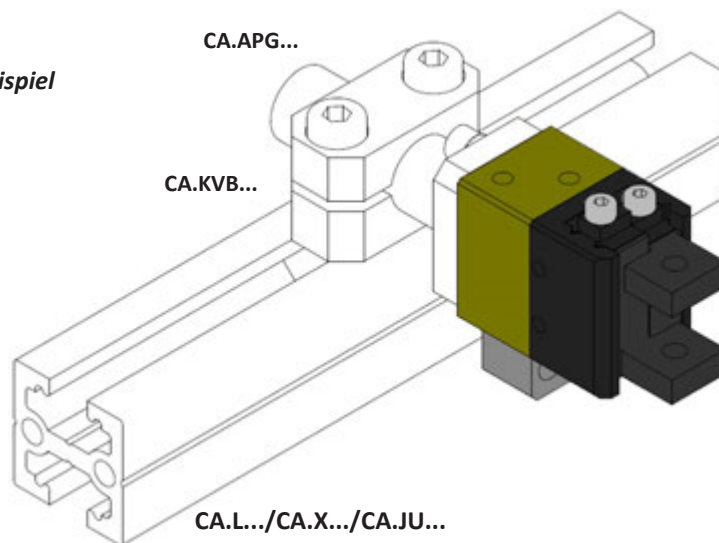
MPG

. Parallelgreifer



Article no.	Stroke	Opening total gripping force	Closing total gripping force	Weight
CA.MPG.20	4	24 N	28 N	40 g
CA.MPG.25	6	28 N	31 N	60 g
CA.MPG.32	8	55 N	65 N	120 g
CA.MPG.40	12	90 N	110 N	200 g
CA.MPG.50	16	155 N	175 N	350 g
CA.MPG.64	20	190 N	200 N	600 g

Application example / Anwendungsbeispiel

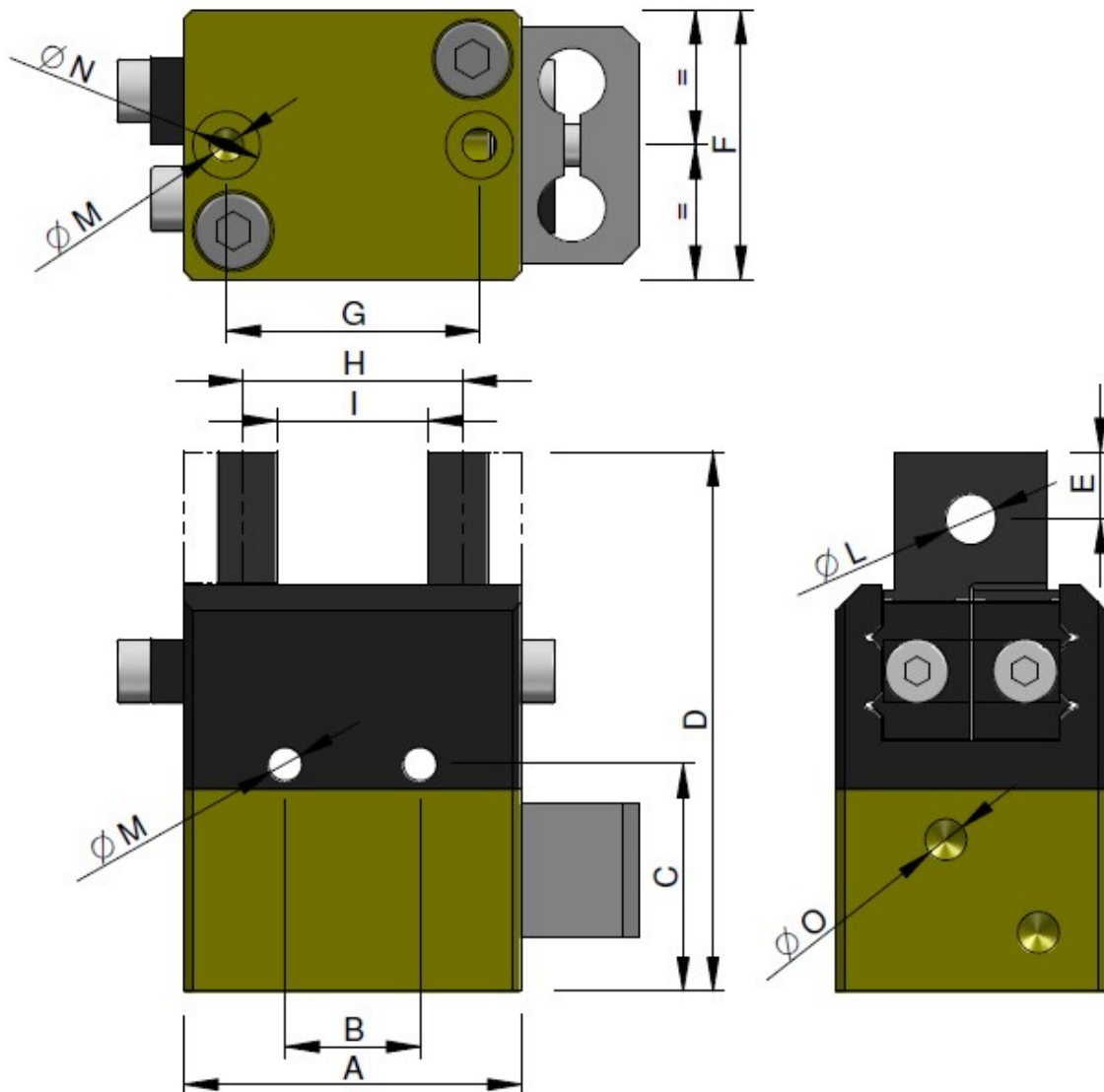


CA.09 MPG

MPG

. Dimensions

. Maße



Article no.	Bore size	A	B	C	D	E	F	G	H	I	L	M	N	O
CA.MPG.20	20	20	8	13.5	32	4	16	15	13	9	3	M2.5	4	M3
CA.MPG.25	25	26	10	15	34		18	20	17	11		M3	5	
CA.MPG.32	32	32		10	19	43	5	22	25	22	14	4	M4	6
CA.MPG.40	40	40	23.5		51	6	26	32	28	16	M5		8	
CA.MPG.50	50	50	40	26.5	60	7	30	40	35	18	5	M5	8	M5
CA.MPG.64	64	64	52	29	70	8	35	52	44	24	6	M5	8	