

Referans Nr.	Temp. up to	Piston Ø D (mm)	Rod Ø d (mm)	Force to pull at 100 bar (kgf)	Force to pull at 500 bar (kgf)	Spring return force, min. (N)	Oil volume per 10 mm stroke (cm ³)	a (mm)	b (mm)	c (mm)	f (mm)	g (mm)	h (mm)	k (mm)	m (mm)	n (mm)	o	p	r (mm)	s (mm)	t (mm)	SW (mm)	Strok ± 1 (mm)	l ± 1 (mm)	Weight (kg)
1057-010016	100 °C	16	10	110	600	40	1.22	60	35	22	30	6.5	30	17.5	16	11	M6x12	G1/4	-	40	22	8	8	78	0.8
1057-015016	150 °C																								
1057-010025	100 °C	25	16	270	1430	140	2.90	65	45	27	50	8.5	33	22.5	18	11	M10x15	G1/4	-	50	30	13	8	91	1.2
1057-015025	150 °C																								
1057-010032	100 °C	32	20	460	2420	195	4.90	75	55	35	55	10.5	38	27.5	22	11	M12x15	G1/4	-	55	35	17	10	110	1.8
1057-015032	150 °C																								
1057-010040	100 °C	40	25	730	3790	270	7.65	85	63	35	63	10.5	40	31.5	24	11	M16x25	G1/4	4	63	40	-	10	114	2.6
1057-015040	150 °C																								
1057-010050	100 °C	50	32	1100	5730	440	11.60	100	75	35	76	13	44	37.5	27	13	M20x25	G1/4	4	76	45	-	12	125	3.8
1057-015050	150 °C																								
1057-010063	100 °C	63	40	1790	9230	430	18.60	125	95	44	95	17	50	47.5	26	17	M27x40	G1/2	4	95	65	-	12	146	6.7
1057-015063	150 °C																								
1057-010080	100 °C	80	50	2920	15180	760	30.63	160	120	46	120	21	60	60	34	21	M30x40	G1/2	5	120	80	-	12	193	12.8
1057-015080	150 °C																								
1057-100100	100 °C	100	63	4560	23500	1200	47.36	200	150	55	158	25	64	75	35	25	M42x60	G1/2	6	158	108	-	12	185	24
1057-150100	150 °C																								

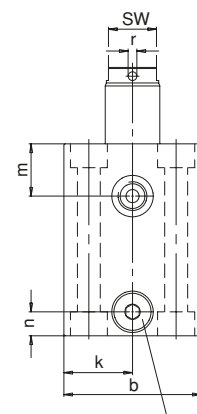
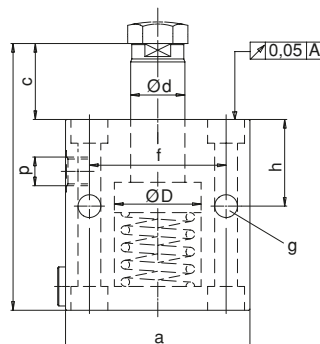
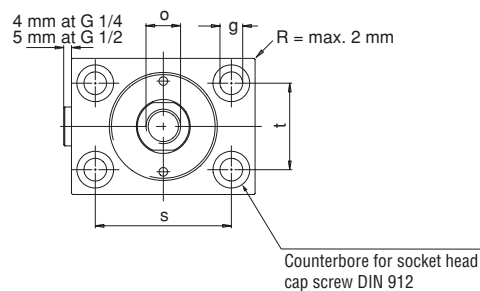
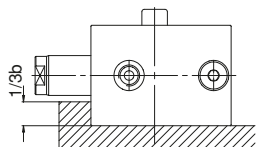
Product Nr. 1057 Pull-Type Cylinder

- Tolerances for length and angle dimensions as per DIN 7168-m

Important notes

If there is a possibility that aggressive cutting lubricants and coolants penetrate through the sintered metal air filter into the cylinder's interior, a vent hose has to be connected and be placed in a protected position.

Cylinders must be supported at the front for operating pressures exceeding 250 bar



Bleeding by plug with sintered metal air filter