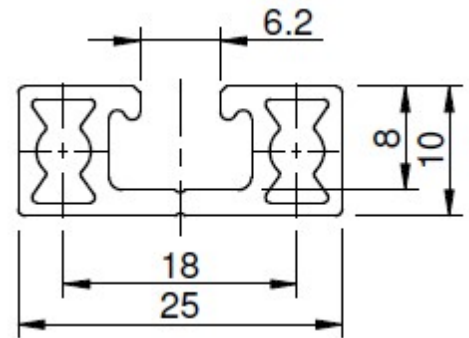
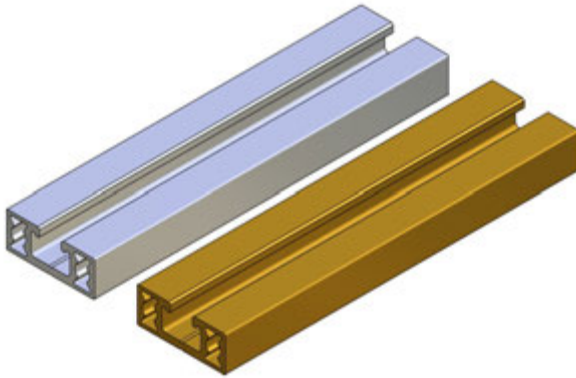


## CA.02 X

X

### . Profile X.2510

### . Profil X.2510



**New**

Surface: Aluminium anodized  
Oberfläche: eloxiert

Table / Tabelle

L = Length  
Länge

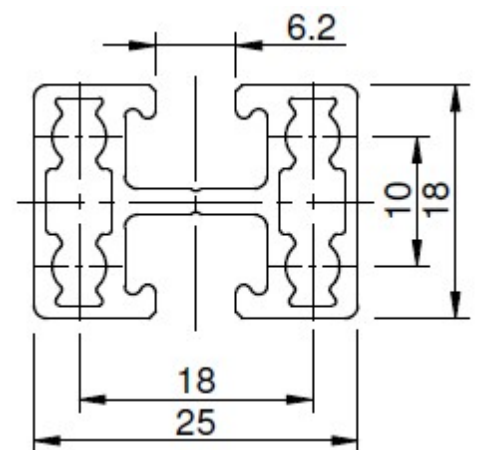
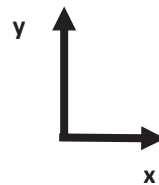
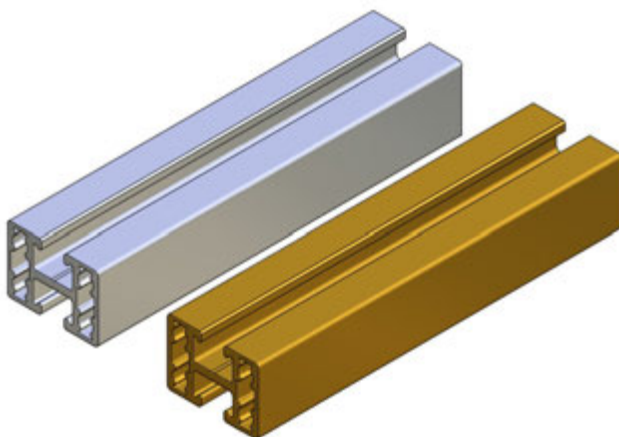
M = T-Nut / Nutenstein

M1 = Caps  
Verschlusskappe

Article no.		$I_x$ [mm <sup>4</sup> ]	$I_y$ [mm <sup>4</sup> ]	L	M	M1	Weight
CA.X.2510.1000	Silver	1300	7280	1 m	CA.GWP	CA.ADK.X.2510	290 g
CA.X.2510.1000G	Gold			2 m			580 g
CA.X.2510.2000	Silver						580 g
CA.X.2510.2000G	Gold			580 g			

### . Profile X.2518

### . Profil X.2518



Article no.		$I_x$ [mm <sup>4</sup> ]	$I_y$ [mm <sup>4</sup> ]	L	M	M1	Weight
CA.X.2518.1000	Silver	5600	11500	1 m	CA.GWP	CA.ADK.X.2518	400 g
CA.X.2518.1000G	Gold			2 m			800 g
CA.X.2518.2000	Silver						800 g
CA.X.2518.2000G	Gold			800 g			