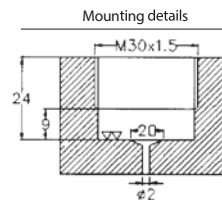
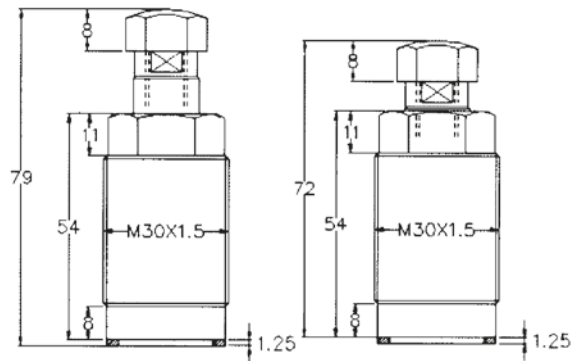


Referans Nr.	Operating Oil Pressure	Acting Type	Stroke	Piston Rod Ø (mm)	200kg/cm <sup>2</sup> Supporting Force	Contact force kg	A	B	C	D	E	F	Weight (kg)
1056-SP16A	100-350 kg/cm <sup>2</sup>	Spring	8	16	210 kg	-	79	54	8	M30 x1.5	11	8	0.30
1056-SP16B	100-350 kg/cm <sup>2</sup>	Hydraulic	8	16	210 kg	2.35	72	54	8	M30 x1.5	11	8	0.30

**Product Nr. 1056 Hydraulic Work Support**


SP16A

SP16B