

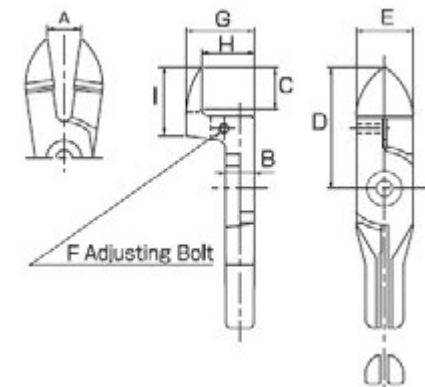
CA.FN

FN

. Blades FN

. Schneideinsätze FN

FN - C



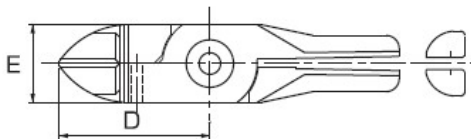
Article no.	M	A	B	C	D	E	F	G	H	I	Cutting capacity	Weight
CA.FN10C	CA.SN3	5.2	7	11	35	14	M3	18	14	19	Ø1.5	50 g
CA.FN1C	CA.SN5	9	7	13	38	16	M3	20	15	21	Ø2.5	60 g
CA.FN3C	CA.SN10	10	9	13	38	18	M3	21.5	16.5	21	Ø3	70 g
CA.FN5C	CA.SN20	10	12	19	46	22	M3	24	19	30	Ø4	155 g

Table / Tabelle

M = Suitable for CA.SN...

Passend für CA.SN...

FNP - C

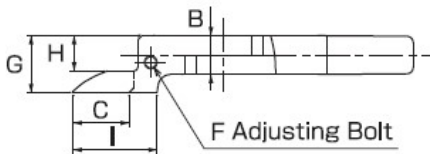


Article no.	M	A	B	C	D	E	F	G	H	I	Cutting capacity	Weight
CA.FNP10C	CA.SNP3	5.2	7	11	35	14	M3	12	8	20	Ø 1.5	50 g
CA.FNP1C	CA.SNP5	8.6		14	37	16		12.2	7.2	22	Ø 2.5	60 g
CA.FNP3C	CA.SNP10	9.8	9	13	35	18		13.2	8.2	20	Ø 3	70 g
CA.FNP5C	CA.SNP20	10	12	18	42	22		16	11	27	Ø 4	155 g

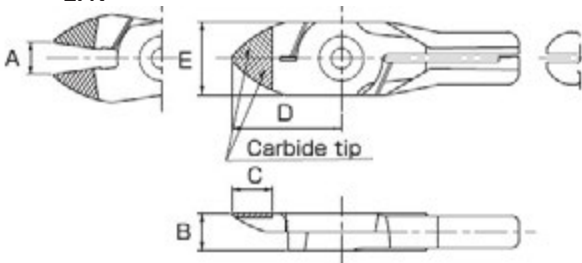
Table / Tabelle

M = Suitable for CA.SN...

Passend für CA.SN...



ZFN



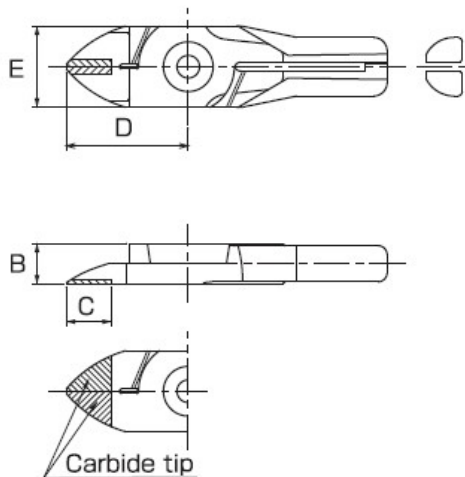
Article no.	M	A	B	C	D	E	Cutting capacity	Weight
CA.ZFN10	CA.SN3	3.5	7	11	24	14	Ø 2	30 g
CA.ZFN1	CA.SN5	5.5				16	Ø 3	35 g
CA.ZFN3	CA.SN10	7	9	10	27	19	Ø 4	60 g
CA.ZFN5	CA.SN20	8.5	12	16	35	22	Ø 5	110 g

Table / Tabelle

M = Suitable for CA.SN...

Passend für CA.SN...

ZFNP



Article no.	M	A	B	C	D	E	Cutting capacity	Weight
CA.ZFNP10	CA.SNP3	3.5	7	11	24	14	Ø 2	30 g
CA.ZFNP1	CA.SNP5	5.5				16	Ø 3	35 g
CA.ZFNP3	CA.SNP10	7	9	10	27	19	Ø 4	60 g
CA.ZFNP5	CA.SNP20	8.5	12	16	35	22	Ø 5	110 g

Table / Tabelle

M = Suitable for CA.SN...

Passend für CA.SN...