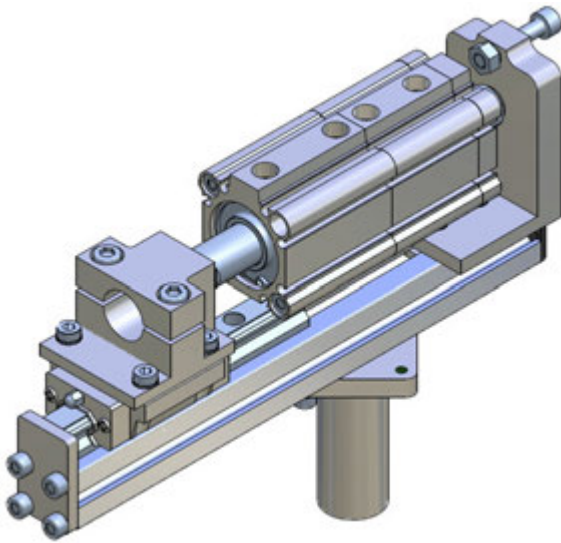


## CA.09 UDHE

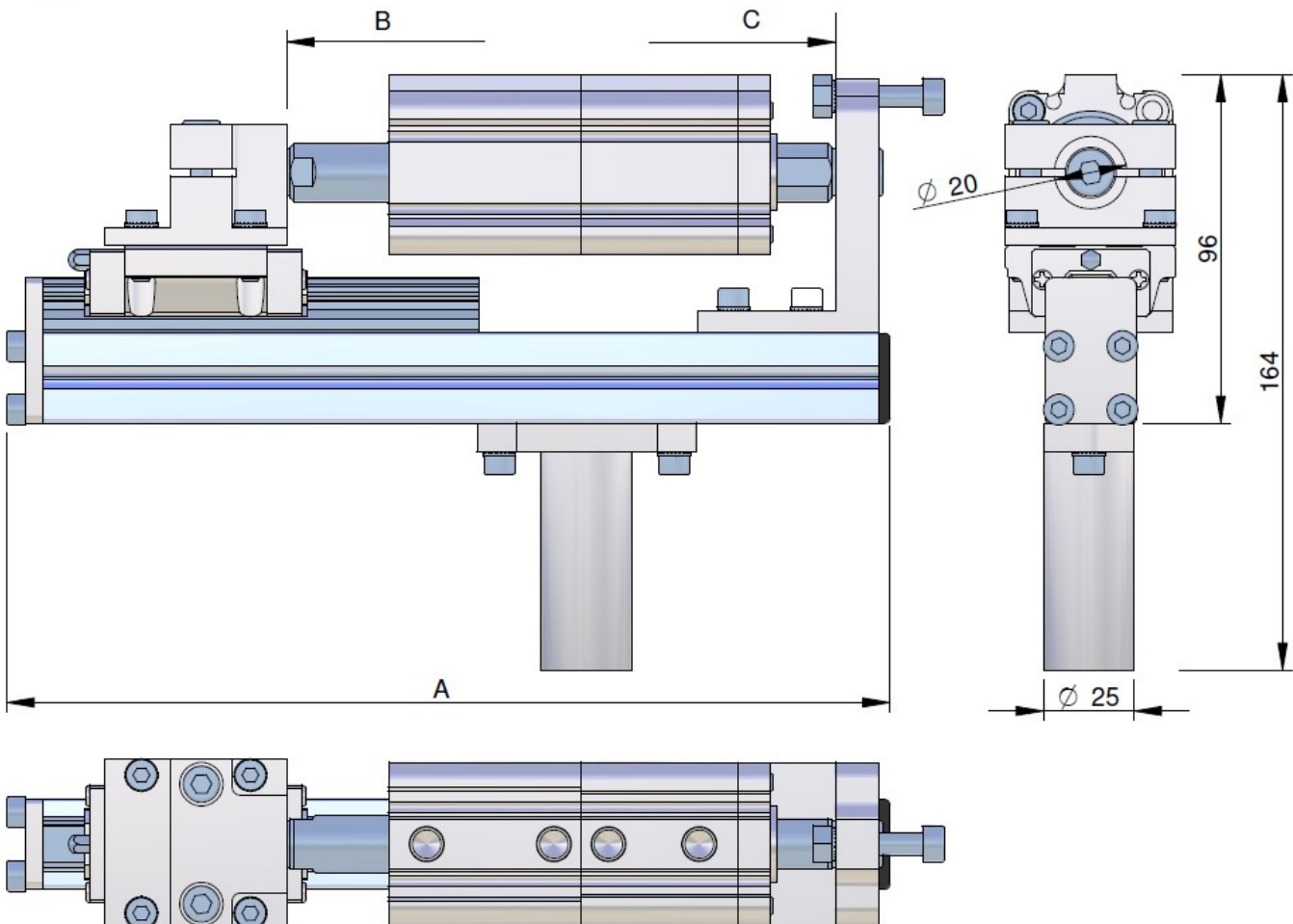
. Double Stroke Unit

## UDHE

. Doppelhubeinheit



| Article no.      | A   | B  | C  |
|------------------|-----|----|----|
| CA.UDHE.32102020 | 243 | 20 | 10 |
| CA.UDHE.32203020 | 283 | 30 | 20 |



| Article no.      | Weight |
|------------------|--------|
| CA.UDHE.32102020 | 1375 g |
| CA.UDHE.32203020 | 1455 g |