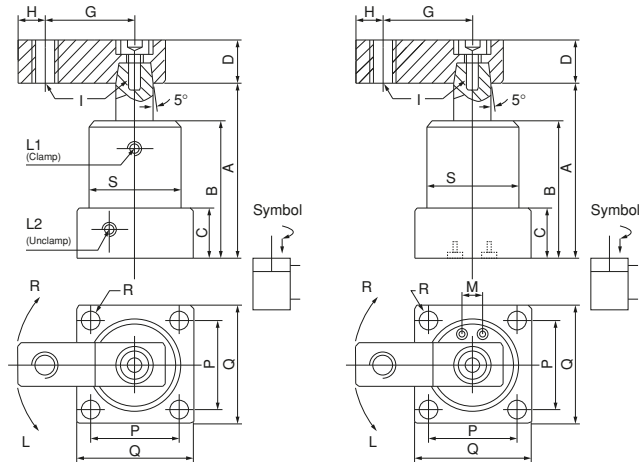


Referans Nr.	Mounting Type	Clamping Arm	Max. Pressure	Normal Pres.	Acting Type	Swivel Angle	Swivel Stroke (mm)	Clamp. Str. (mm)	Bore Diameter Ø (mm)	Piston Rod Ø	Clamp Force (5 kg/cm ²)	A (mm) Unclamp	B (mm)	C (mm)	D (mm)	G (mm)	H (mm)	L1 Clamp L2 Unclamp	I (mm)	P (mm)	Q (mm)	R (mm)	S (mm)	M (mm)	F (mm)	Weight (kg)
1058-NAS025	Bottom Flange	Single Arm	7 kg/cm ²	4-6 kg/cm ²	Double Acting	90° (0° 45°, 60°, 180°) ± 2°	12	14	25	14	16	95.5	65.5	23	□ 16	30	8	M5	M6	30	40	Ø 4.5	Ø 35	18	12.5	0.40
1058-NAS032							12	14	32	16	30	102.5	71	23	□ 19	50	9	1/8 PF	M8	44	54	Ø 6.5	Ø 50	22	17	0.70
1058-NAS040							12	15	40	16	50	106	75	26	□ 19	50	9	1/8 PF	M8	48	58	Ø 6.5	Ø 55	26	19.5	0.85
1058-NAS050							14	15	50	20	85	113	80	26	□ 25.4	70	10	1/8 PF	M10	55	68	Ø 8.5	Ø 65	30	24	1.30
1058-NAS063							14	15	63	20	140	119	86	30	□ 25.4	70	10	1/8 PF	M10	64	80	Ø 8.5	Ø 70	40	20	1.80



Product Nr. 1058 Pneumatic Swing Clamp

NAS – Flange Version, Single Arm
With Pipe or the Manifold

- Before buying please, movement indicate the type and rotation angle.

