

CA.02 X

X

. Profile X.2525

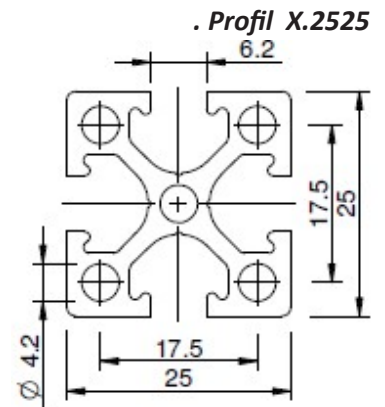
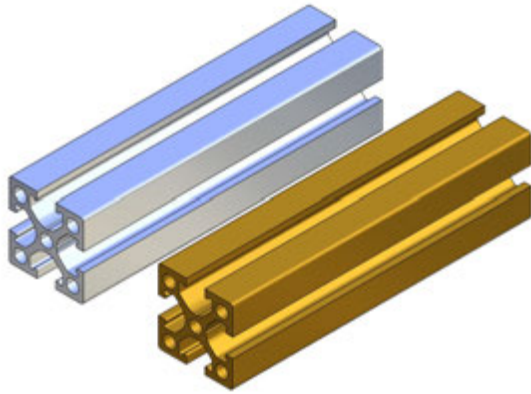


Table / Tabelle

L = Length
Länge

M = T-Nut
Nutenstein

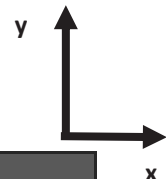
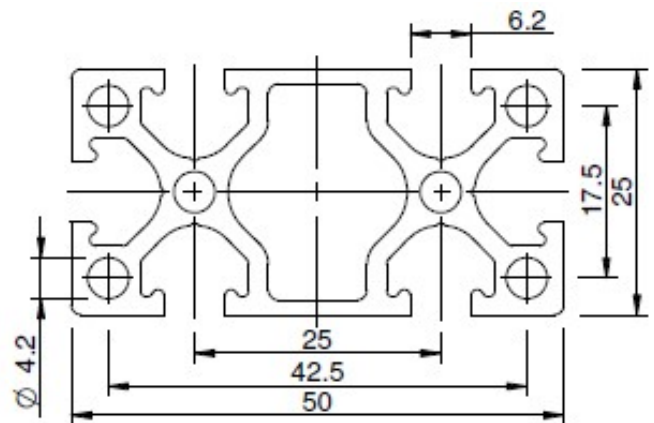
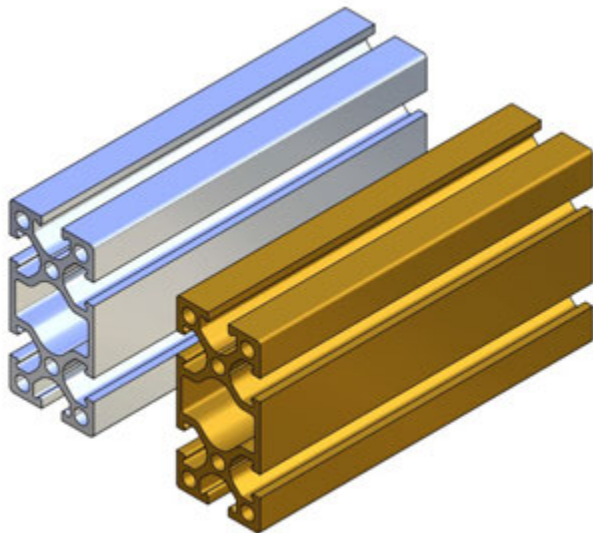
M1 = Caps
Verschlusskappe

Surface: Aluminium anodized
Oberfläche: eloxiert

Article no.		lx [mm ⁴]	ly [mm ⁴]	L	M	M1	Weight
CA.X.2525.1000	Silver	16260	16260	1 m	CA.GWP	CA.ADK.X.2525	683 g
CA.X.2525.1000G	Gold						
CA.X.2525.2000	Silver			2 m			
CA.X.2525.2000G	Gold						1366 g

. Profile X.5025

. Profil X.5025



Article no.		lx [mm ⁴]	ly [mm ⁴]	L	M	M1	Weight
CA.X.5025.1000	Silver	28800	111100	1 m	CA.GWP	CA.ADK.X.5025	1050 g
CA.X.5025.1000G	Gold						
CA.X.5025.2000	Silver			2 m			
CA.X.5025.2000G	Gold						2100 g