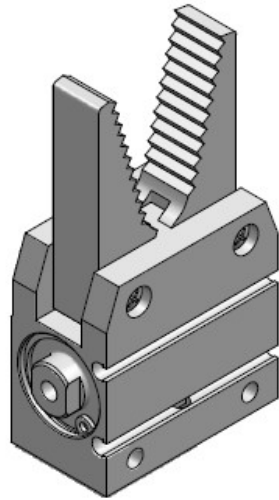


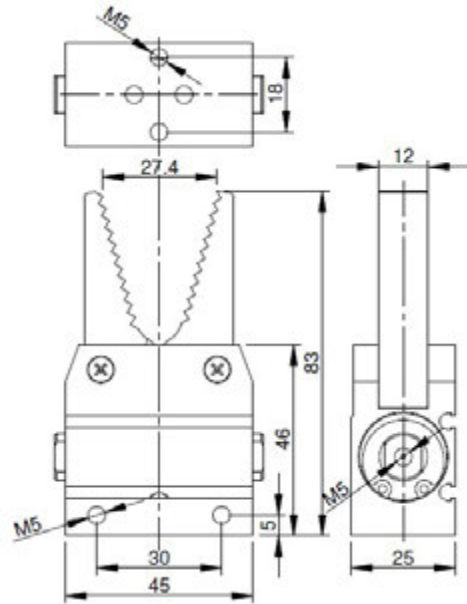
GZA.AA24 S2

. Selfcentering sprue gripper



GZA

. Selbstzentrierende Anguss Greifzange



Article no.	Work principle	Sensor	Weight
CA.GZA.AA24	Double effect		115 g
CA.GZA.AA24.NO	Normally Open		151 g
CA.GZA.AA24.NOS2		KT58REQD	
CA.GZA.AA24.NOSN		KT58NM8	
CA.GZA.AA24.NOSP		KT58PM8	

NOS2 / NOSN / NOSP

