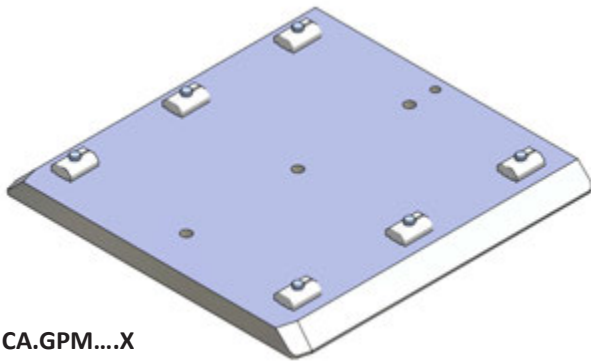


CA.01 GPM

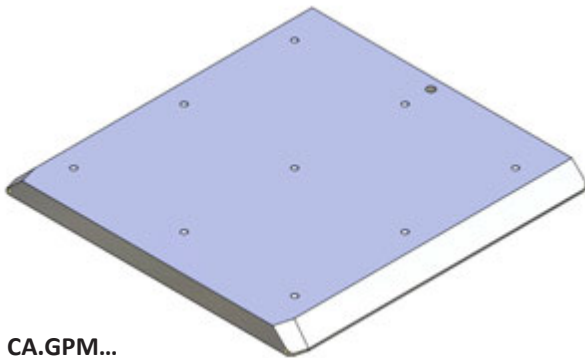
L/X/JU

. Quick changer (grripper side)

. Greifergrundplatte



CA.GPM...X



CA.GPM...

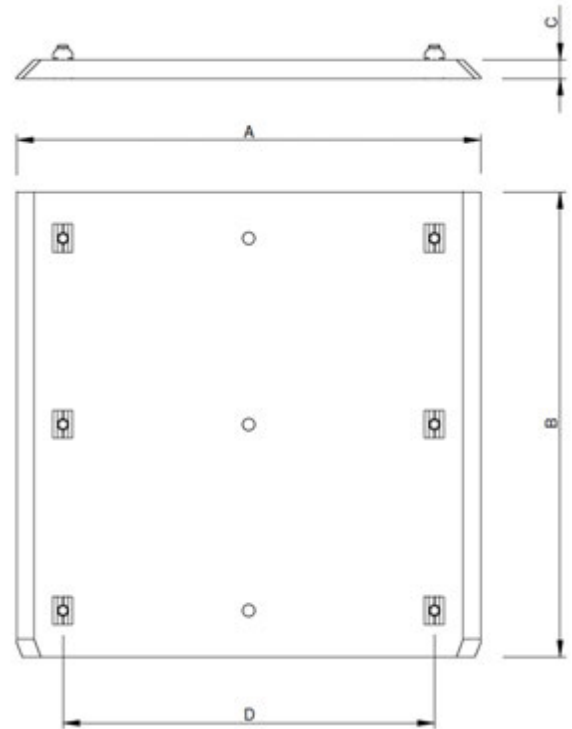


Table / Tabelle

M = Suitable for Profile
Passend für Profil

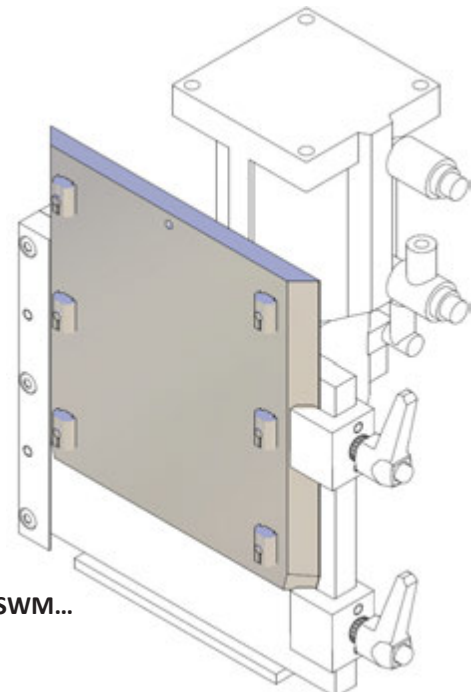
Remarks / Anmerkungen:

Material / Werkstoff: Aluminium / *Steel / *Stahl

Surface: silver anodized / *galvanized
Oberfläche: eloxiert / *verzinkt

Application example / Anwendungsbeispiel

Article no.	A	B	C	D		M	Weight
CA.GPM0	60	60	8	...	ALUMINIUM	...	69 g
CA.GPM0.X				35		L	104 g
CA.GPM1	100	100		...	ALUMINIUM	...	201 g
CA.GPM1.X				70		L/X	242 g
CA.GPM1S*			...	STEEL	...	583 g	
CA.GPM2	160	160	10	...	ALUMINIUM	...	653 g
CA.GPM2.X				120		L/X/JU	695 g
CA.GPM2S*				...	STEEL	1892 g	
CA.GPM3	250	250		...	ALUMINIUM	...	1613 g
CA.GPM3.X				200		L/X/JU	1677 g
CA.GPM3S*				...	STEEL	4673 g	



CA.SWM...