

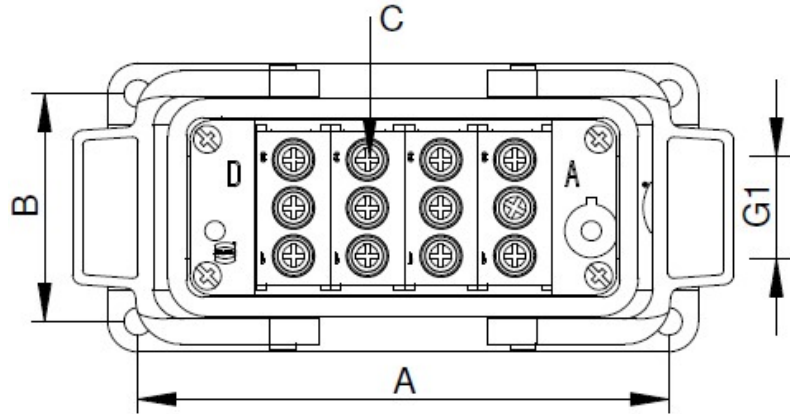
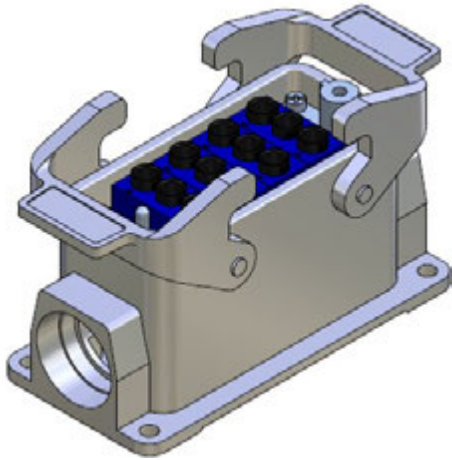
CA.12 SCAR - SCAG

PNEUMATIC

. Mounting case

. Anbaugehäuse

Robot side RS *Roboterseite*

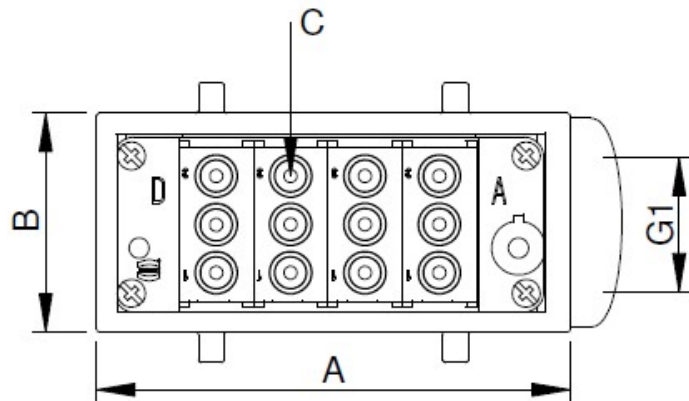
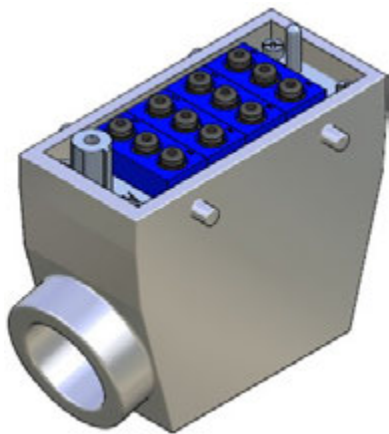


Article no.	A	B	G1	C	Weight
CA.SCAR.12P00E	105	45	PG21	12x Ø 6	405 g

. Grommet case

. Tüllengehäuse

Gripper side GS *Greiferselte*



Article no.	A	B	G1	C	Weight
CA.SCAG.12P00E	93	43	PG21	12x Ø 6	361 g